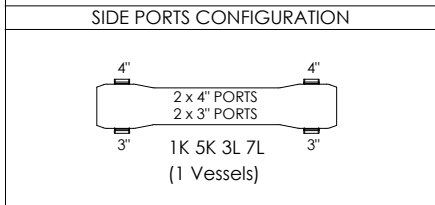


GENERAL DIMENSIONS				
Shell Length Code	L mm	P3 mm	S Standard Span mm	Empty Weight kg
-1	1565	1168.4	1@635	81
-1.5	2073	1676.4	1@1067	90
-2	2581	2184.4	1@1422	98
-3	3597	3200.4	1@2032	115
-4	4613	4216.4	2@1626	131
-5	5629	5232.4	2@1981	148
-6	6645	6248.4	2@2337	166
-7	7663	7264.4	2@2692	182
-7.5	8171	7772.4	2@2896	191
-8	8679	8280.4	2@3048	199



BILL OF MATERIALS				
ITEM	QTY	P/N	DESCRIPTION	MATERIAL
1	1	TBD	Shell	Filament Wound, Epoxy FRP
2	2	4080723	Bearing Plate	6061-T6 Aluminum, Anodized
3	2	4080177-3	Sealing Plate	Noryl
4	2	4080879	Feed/Concentrate Port (4"), "L"	SST. Super Duplex - Offset 173.4mm
5	2	6201450	Retaining Ring, F/C Port (4"), "L"	Stainless Steel, 316L OUTER
5*	2	4081080	Retaining segment ring (4"), "L"	Stainless Steel, 316L INNER
6	2	6180348	O-Ring Seal, F/C Port (4"), "L"	Ethylene Propylene
*7	2	4080308	Permeate Port	Noryl
8	2	6100442	Head Seal	Ethylene Propylene
9	2	6180229	Permeate Port Seal	Ethylene Propylene
10	2	4080320	Retaining Ring w/ Finger Pull	Stainless Steel, 316L
11	2	6121200	Retaining Ring, Permeate Port	Stainless Steel, 316L
12	3	4080175	Support Saddle	Thermoplastic Rubber
**13	2	4080800	Strap Assembly [M8]	Stainless Steel, 316L
14	6	6150072	Strap Screw [M8x70mm]	Stainless Steel, A4
15	2	5080074	Membrane Adapter	Noryl
16	1	4080165-1	Thrust Cone	PVC Thermoplastic
17	2	6180326	Adapter Seal	Ethylene Propylene
18	4	6180119	PWT Seal	Ethylene Propylene
19	2	4080062	Shim, Adapter [5mm]	Noryl
20	2	4080704	Shim, Adapter [2mm]	Noryl
21	2	4080840	Feed/Concentrate Port (3"), "K"	SST. Super Duplex - Offset 175mm
22	2	6121373	Retaining Ring, F/C Port (3"), "K"	Stainless Steel, Super Duplex - Inner
23	2	6180340	O-Ring Seal, F/C Port (3"), "K"	Ethylene Propylene
24	2	6121343	Retaining Ring, F/C Port (3"), "K"	Stainless Steel, 316L - Outer
25	2	6180031	Permeate Port Secondary Seal	Ethylene Propylene

\* Different Permeate Port connections available upon request  
 \*\* 3 saddles are supplied when vessels are -4 elements or longer

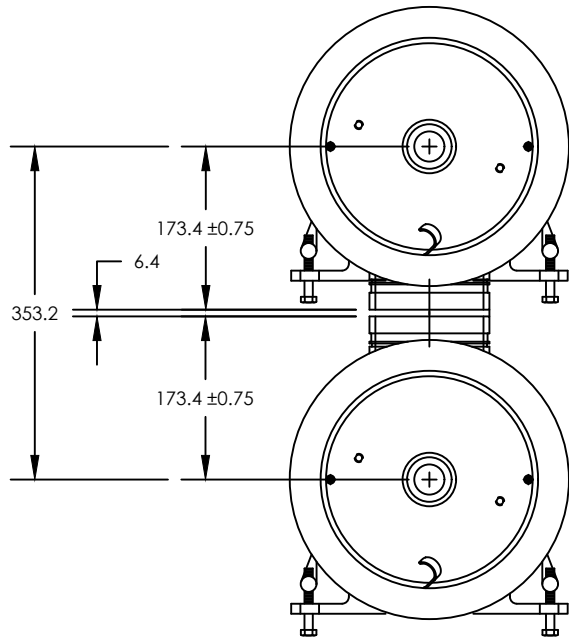
NOTES:  
 DIMENSIONS IN MM  
 FOR REFERENCE ONLY, NOT FOR CONSTRUCTION UNLESS CERTIFIED  
 FOR VESSEL INSTALLATION AND MAINTENANCE PLEASE REFER TO PROTEC ARISAWA USER'S MANUAL  
 CENTER VESSEL ON SUPPORTS AT SPAN(S) "S". 3 POINT SUPPORT QUOTED SEPARATELY FOR SHELL LENGTHS -4 AND LONGER.  
 INTERNAL PERMEATE PRESSURE MUST NOT EXCEED 125 PSI.  
 ASME SECTION X, RP CODE STAMP OPTIONAL  
 PRO-8-1200-MMSP MODEL AVAILABLE SIDE PORT SIZES: 1.5" / 2" / 2.5" / 3" / 4"  
 DESIGN PRESSURE = 1200 PSI  
 DESIGN TEMPERATURE = Min. -7°C (20 °F) - Max. 49°C (120°F)  
 FOR OTHER TEMPERATURES OUT OF THIS RANGE CONTACT PROTEC ARISAWA  
 HYDROTEST PRESSURE: N° x1.43 CE MARKING or N° x1.1 ASME



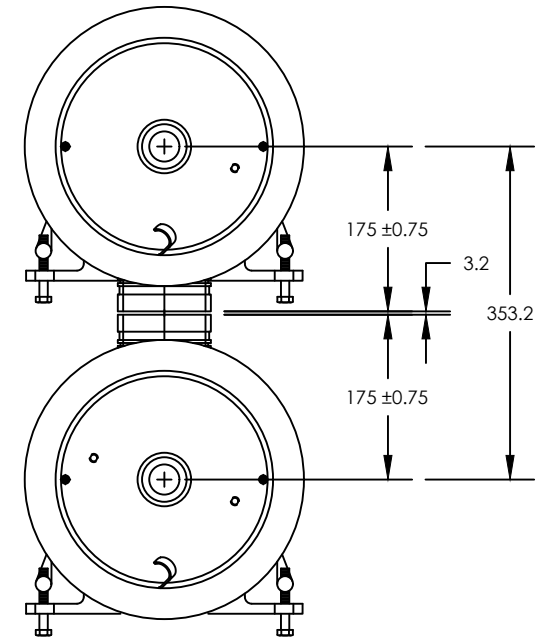
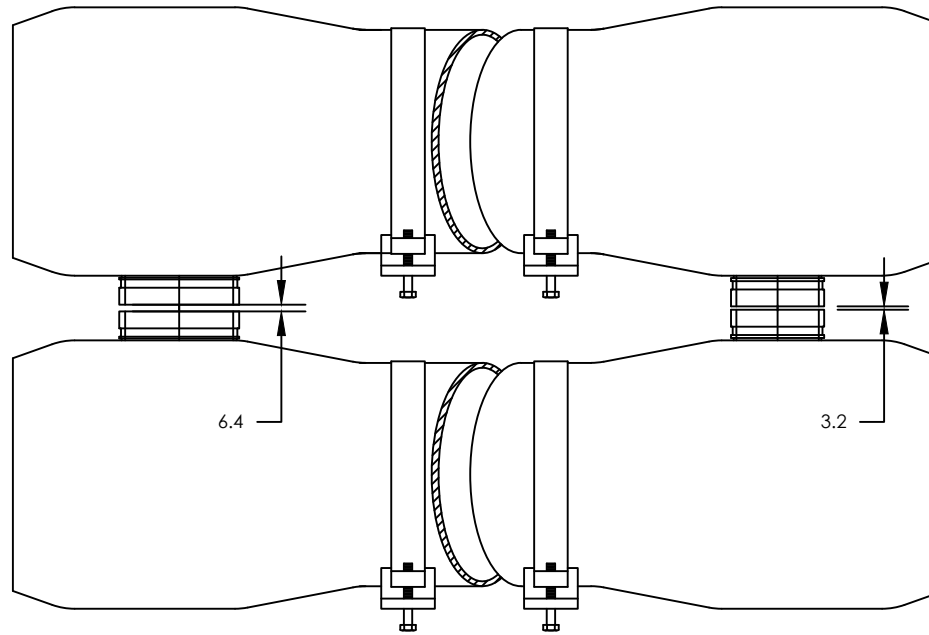
PRO-8-1200-MMSP

ENGR BOA 20/10/2022	ECO	REVISED 20/10/2022	DRAWING 105211	REV A
QLTY QCM 20/10/2022	22137			
MRKT OB 20/10/2022				

### SIDE PORT 4"



### SIDE PORT 3" or SMALLER



### IPS GROOVED END ALLOWABLE PIPE END SEPARATION:

- 4" VICTAULIC : 6,4mm
- 3" VICTAULIC : 3,2mm
- 2.5" VICTAULIC : 3,2mm
- 2" VICTAULIC : 3,2mm
- 1.5" VICTAULIC : 3,2mm

NOTES:  
DIMENSIONS IN MM

FOR REFERENCE ONLY, NOT FOR CONSTRUCTION UNLESS CERTIFIED

FOR VESSEL INSTALLATION AND MAINTENANCE PLEASE REFER TO PROTEC ARISAWA USER'S MANUAL

CENTER VESSEL ON SUPPORTS AT SPAN(S) "S". 3 POINT SUPPORT QUOTED SEPARATELY FOR SHELL LENGTHS -4 AND LONGER.

INTERNAL PERMEATE PRESSURE MUST NOT EXCEED 125 PSI.

ASME SECTION X, RP CODE STAMP OPTIONAL

PRO-8-1200-MMSP MODEL AVAILABLE SIDE PORT SIZES: 1.5" / 2" / 2.5" / 3" / 4"

DESIGN PRESSURE = 1200 PSI  
DESIGN TEMPERATURE = Min. -7°C (20 °F) - Max. 49°C (120°F)  
FOR OTHER TEMPERATURES OUT OF THIS RANGE CONTACT PROTEC ARISAWA  
HYDROTEST PRESSURE: N° x1.43 CE MARKING or N° x1.1 ASME



ENGR BOA 20/10/2022	PRO-8-1200-MMSP			
QLTY QCM 20/10/2022				
MRKT OB 20/10/2022	ECO 22137	REVISED 20/10/2022	DRAWING 105211	REV A