

GENERAL DIMENSIONS				
Shell Length Code	L inch (mm)	P3 Standard inch (mm)	S Span in (mm)	Empty Weight lb (kg)
-1	61.1 [1551.0]	46 [1168.4]	1 @ 28 [711.2]	124 [56]
-2	101.1 [2567.0]	86 [2184.4]	1 @ 56 [1422.4]	143 [65]
-3	141.1 [3583.0]	126 [3200.4]	1 @ 80 [2032.0]	162 [74]
-4	181.1 [4599.0]	166 [4216.4]	2 @ 64 [1625.6]	181 [82]
-5	221.1 [5615.0]	206 [5232.4]	2 @ 78 [1981.2]	200 [91]
-6	261.1 [6631.0]	246 [6248.4]	2 @ 92 [2336.8]	219 [99]
-7	301.1 [7648.6]	286 [7264.4]	2 @ 106 [2692.4]	238 [108]
-8	341.1 [8664.6]	326 [8280.4]	2 @ 120 [3048.0]	257 [116]

BILL OF MATERIALS				
ITEM	QTY	P/N	DESCRIPTION	MATERIAL
1	1	4080585	Shell	Filament Wound, Epoxy FRP
2	2	4080032	Bearing Plate	6061-T6 Aluminum, SB-221, Anodized
3	2	4080177-3	Sealing Plate	Noryl GFN2
4	2	4080449-1	Feed/Concentrate Port, 4"	Stainless Steel, 316, SA-312
5	6	6201450	Retaining Ring, F/C Port, 4"	Stainless Steel, 316, SA-479
6	2	6180348-N	O-Ring Seal, F/C Port, 4"	Ethylene Propylene
7	2	4080309	Permeate Port	Noryl GFN2
8	2	6100442MK	Head Seal	Ethylene Propylene
9	2	6110229-N	Permeate Port Seal	Ethylene Propylene
10	2	4080320	Retaining Ring w/ Finger Pull	Stainless Steel, 316, SA-479
11	2	6121200	Retaining Ring, Permeate Port	Stainless Steel, 316, SA-479
12	2*	4080174	Support Saddle	Thermoplastic Rubber
13	2*	4080137	Strap Assembly	Stainless Steel, 316
14	4	6150001	Strap Screw	Stainless Steel, 18-8
15	2	A/R	Adapter	Thermoplastic
16	1	4080165-3	Thrust Cone	PVC Thermoplastic
17	2	6180326-N	Adapter Seal	Ethylene Propylene
18	A/R	A/R	PWT Seal	Ethylene Propylene
19	3	4080062-4	Shim, Adapter	Noryl GFN2
20	2	4081293-1	Feed/Concentrate Port, 3"	Stainless Steel, 316, SA-312
21	4	6121373	Retaining Ring, F/C Port, 3"	Stainless Steel, 316, SA-479
22	2	6180340-N	O-Ring Seal, F/C Port, 3"	Ethylene Propylene
23	4	6121343	Retaining Ring, F/C Port, 3"	Stainless Steel, 316, SA-479
24	2	4081292-1	Feed/Concentrate Port, 2.5"	Stainless Steel, 316, SA-312
25	4	6121275	Retaining Ring, F/C Port, 2.5"	Stainless Steel, 316, SA-479
26	2	6180335-N	O-Ring Seal, F/C Port, 2.5"	Ethylene Propylene

*3 each with shell lengths -4 and longer.

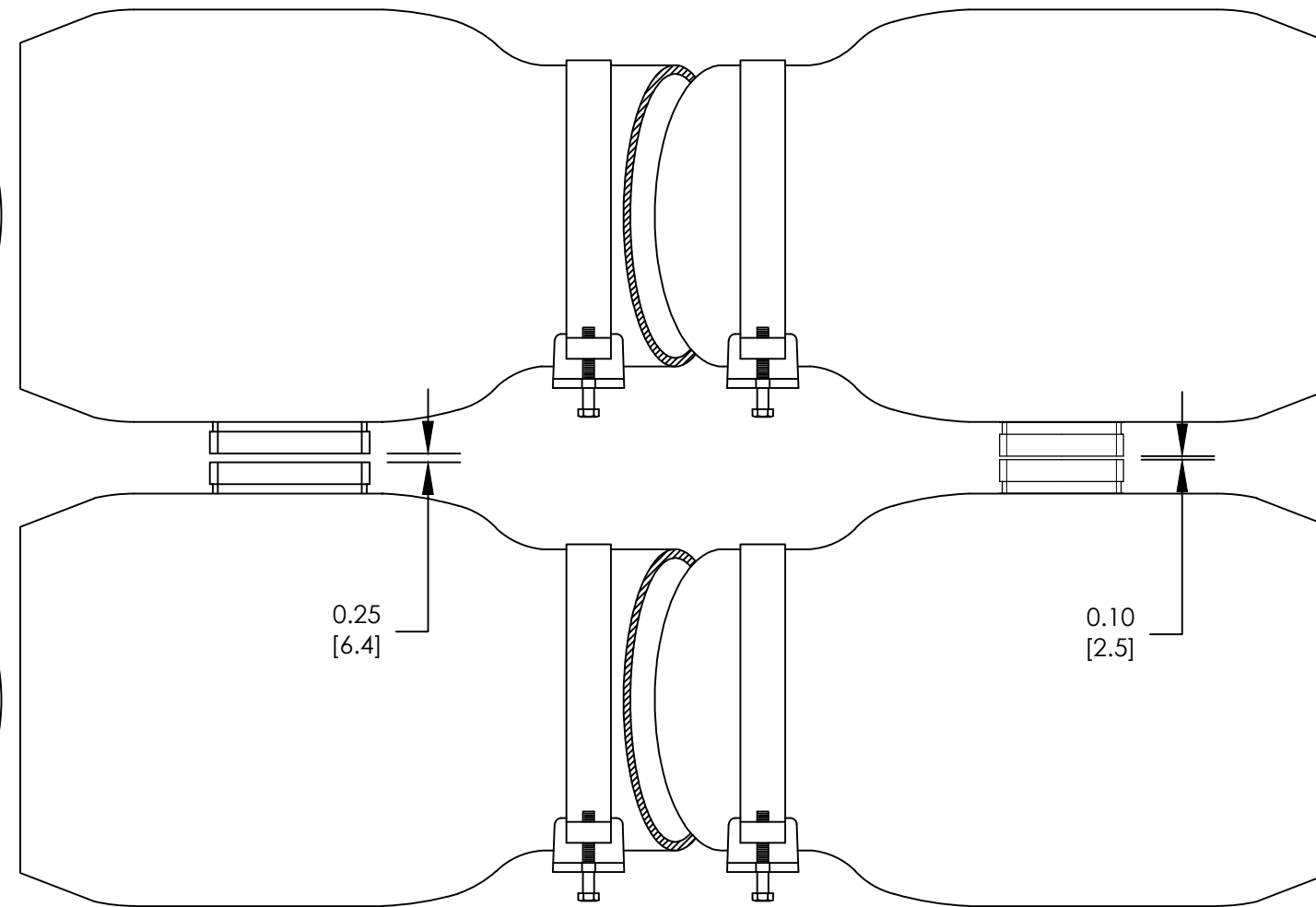
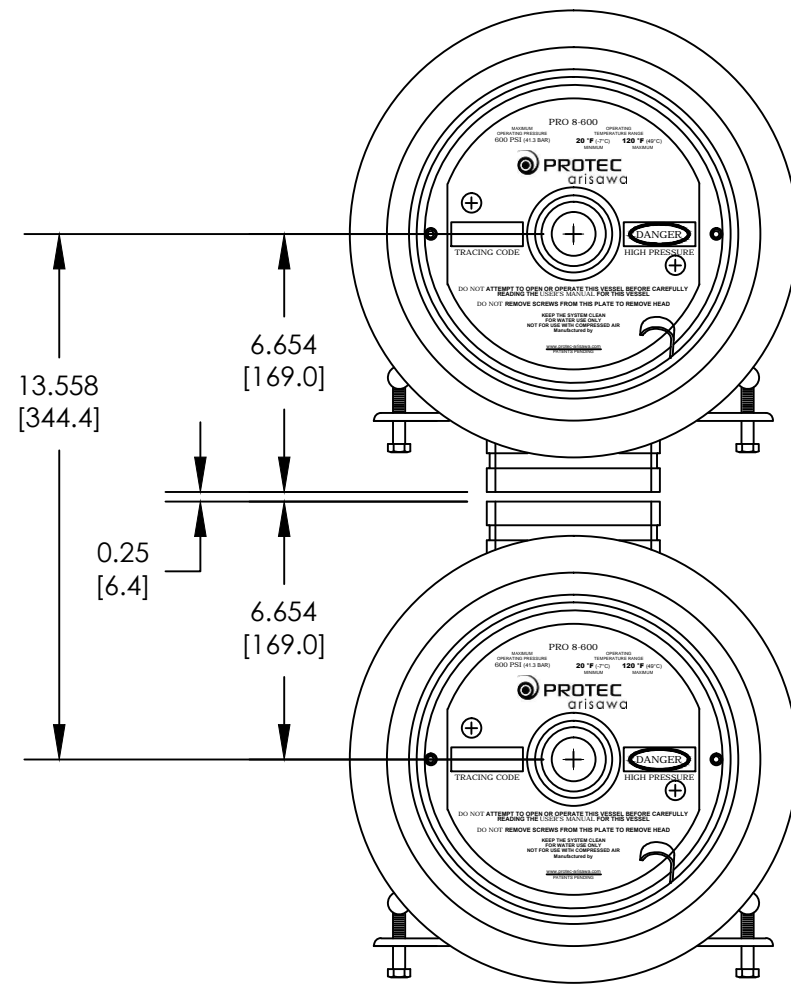
NOTES:
 DIMENSIONS IN INCHES (MM APPROX.)
 FOR REFERENCE ONLY, NOT TO BE USED FOR CONSTRUCTION UNLESS CERTIFIED
 SHIMMING OF THE SADDLES MAY BE REQUIRED
 CENTER VESSEL ON 2 OR 3 SUPPORTS AT SPAN(S) "S".
 INCORRECT MANIFOLDING WILL CAUSE SEVERE LOCAL STRESS AROUND PORT AND MAY RESULT IN LEAKS AND PREMATURE FAILURE. TAKE EVERY PRECAUTION LISTED IN THE ENGINEERING PACKET OR USERS MANUAL
 INTERNAL PERMEATE PRESSURE MUST NOT EXCEED 125 PSI.
 AS PER ASME AND CRN REQUIRED
 ASME SECTION X 2021, RP/NB STAMP REQUIRED FOR CRN
 SPECIFICATIONS SUBJECT TO CHANGE WITHOUT NOTICE



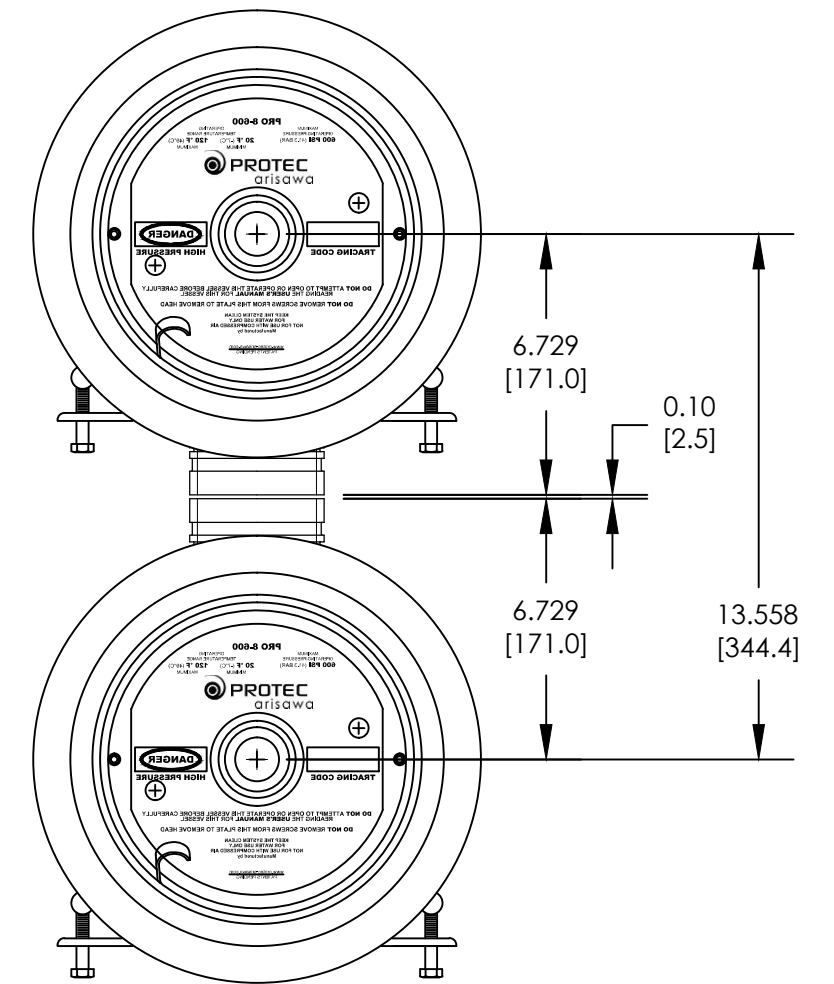
PRO 8-600-MMSP

ENGR MK 7/8/2021	ECO	REVISED 10/21/2022	DRAWING 101052	REV D
QTY TS 7/8/2021	20116			
MRKT MK 7/8/2021				

SIDE PORT 4"



SIDE PORT 3" or SMALLER



IPS GROOVED END
 MAXIMUM ALLOWABLE PIPE END SEPARATION

- 4" PIEDMONT : 0.25" [6.4 mm]
- 3" PIEDMONT : 0.10" [2.5 mm]
- 2.5" PIEDMONT : 0.10" [2.5 mm]
- 2" PIEDMONT : 0.10" [2.5 mm]
- 1.5" PIEDMONT : 0.10" [2.5 mm]



PRO 8-600-MMSP

ENGR MK 7/8/2021				
QLTY TS 7/8/2021				
MRKT MK 7/8/2021	ECO 20097	REVISED 7/8/2021	DRAWING 101052	REV C