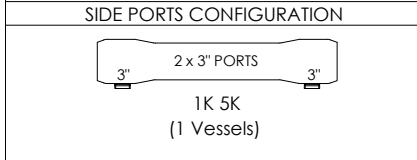


GENERAL DIMENSIONS				
Shell Length Code	L mm	P mm	S Standard Span mm	Empty Weight kg
-1	1525	1168.4	1@635	60
-2	2541	2184.4	1@1422	70
-3	3557	3200.4	1@2032	80
-4	4573	4216.4	2@1626	90
-5	5589	5232.4	2@1981	100
-6	6605	6248.4	2@2337	110
-7	7621	7264.4	2@2692	120
-8	8637	8280.4	2@3048	130

BILL OF MATERIALS				
ITEM	QTY	P/N	DESCRIPTION	MATERIAL
1	1	4080636	Shell	Filament Wound, Epoxy FRP
2	2	4080032	Bearing Plate	6061-T6 Aluminum, Anodized
3	2	4080177-3	Sealing Plate	Noryl
4	2	4080634	Feed/Concentrate Port 3", "K"	SSt, Super Duplex, Offset=171mm
5	2	6121373	Retaining Ring, F/C Port 3", "K"	Stainless Steel, 316
6	2	6180340	Seal, F/C Port 3", "K"	Ethylene Propylene
7	2	6121343	Retaining Ring, F/C Port 3", "K"	Stainless Steel, 316
*8	2	4080309	Permeate Port	Noryl
9	2	6100442	Head Seal	Ethylene Propylene
10	2	6180229	Permeate Port Seal	Ethylene Propylene
11	2	4080320	Retaining Ring w/ Finger Pull	Stainless Steel, 316L
12	2	6121200	Retaining Ring, Permeate Port	Stainless Steel, 316L
**13	3	4080174	Support Saddle	Thermoplastic Rubber
14	2	4080800	Strap Assembly [M8]	Stainless Steel, 316L
15	4	6150072	Strap Screw [M8x70mm]	Stainless Steel, A4
16	2	5080049	Membrane Adapter [1.125"]	Noryl
17	1	4080165-1	Thrust Cone	PVC Thermoplastic
18	2	6180326	Adapter Seal	Ethylene Propylene
19	4	6180119	PWT Seal	Ethylene Propylene
20	2	4080062	Shim, Adapter [5mm]	Noryl
21	2	4080704	Shim, Adapter [2mm]	Noryl
22	2	4080635	Feed/Concentrate Port 4", "L"	SST Super Duplex - Offset=169.4mm
23	6	6201450	Retaining Ring, F/C Port 4", "L"	Stainless Steel, 316L
24	2	6180348	Seal, F/C Port 4", "L"	Ethylene Propylene
25	2	6180031	Permeate port Secondary Seal	Ethylene Propylene



* Different Permeate Port connections available upon request
 ** 3 saddles are supplied when vessels are -4 elements or longer

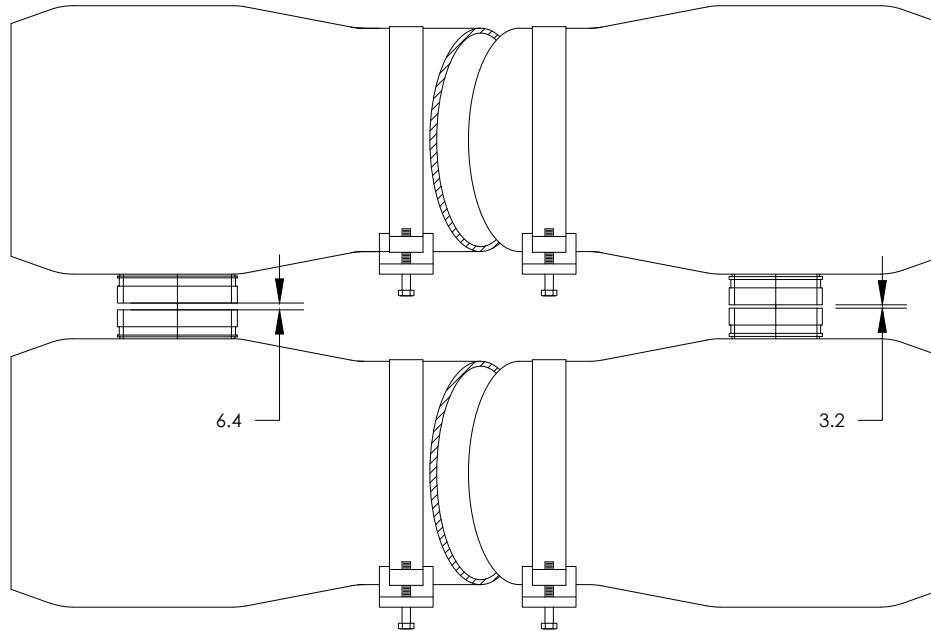
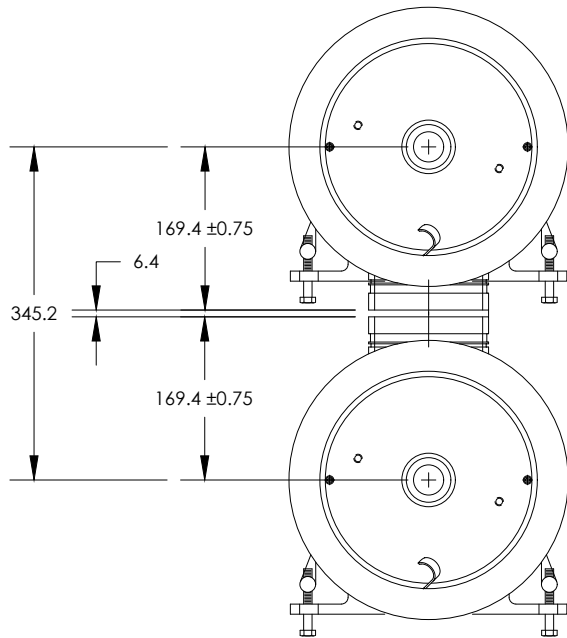
NOTES:
 DIMENSIONS IN MM
 FOR REFERENCE ONLY, NOT FOR CONSTRUCTION UNLESS CERTIFIED
 FOR VESSEL INSTALLATION AND MAINTENANCE PLEASE REFER TO PROTEC ARISAWA USER'S MANUAL
 CENTER VESSEL ON SUPPORTS AT SPAN(S) "S". 3 POINT SUPPORT QUOTED SEPARATELY FOR SHELL LENGTHS -4 AND LONGER.
 INTERNAL PERMEATE PRESSURE MUST NOT EXCEED 125 PSI.
 ASME SECTION X, RP CODE STAMP OPTIONAL
 PRO-8-600-MMSP MODEL AVAILABLE SIDE PORT SIZES: 1.5" / 2" / 2.5" / 3" / 4"
 DESIGN PRESSURE = 600 PSI
 DESIGN TEMPERATURE = Min. -7°C (20 °F) - Max. 49°C (120°F)
 FOR OTHER TEMPERATURES OUT OF THIS RANGE CONTACT PROTEC ARISAWA
 HYDROTEST PRESSURE: N° x1.43 CE MARKING or N° x1.1 ASME



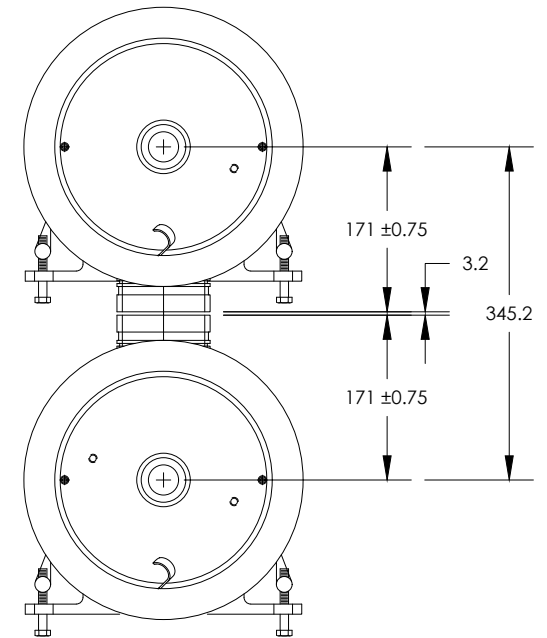
PRO-8-600-MMSP

ENGR BOA 29/4/2021				
QLTY PM 29/4/2021				
MRKT OB 29/4/2021	ECO 21053	REVISED 2/3/2022	DRAWING 103471	REV E

SIDE PORT 4"



SIDE PORT 3" or SMALLER



IPS GROOVED END ALLOWABLE PIPE END SEPARATION:

- 4" VICTAULIC : 6,4mm
- 3" VICTAULIC : 3,2mm
- 2.5" VICTAULIC : 3,2mm
- 2" VICTAULIC : 3,2mm
- 1.5" VICTAULIC : 3,2mm

NOTES:
DIMENSIONS IN MM

FOR REFERENCE ONLY, NOT FOR CONSTRUCTION UNLESS CERTIFIED

FOR VESSEL INSTALLATION AND MAINTENANCE PLEASE REFER TO PROTEC ARISAWA USER'S MANUAL

CENTER VESSEL ON SUPPORTS AT SPAN(S) "S". 3 POINT SUPPORT QUOTED SEPARATELY FOR SHELL LENGTHS -4 AND LONGER.

INTERNAL PERMEATE PRESSURE MUST NOT EXCEED 125 PSI.

ASME SECTION X, RP CODE STAMP OPTIONAL

PRO-8-600-MMSP MODEL AVAILABLE SIDE PORT SIZES: 1.5" / 2" / 2.5" / 3" / 4"

DESIGN PRESSURE = 600 PSI
DESIGN TEMPERATURE = Min. -7°C (20 °F) - Max. 49°C (120°F)
FOR OTHER TEMPERATURES OUT OF THIS RANGE CONTACT PROTEC ARISAWA
HYDROTEST PRESSURE: N° x1.43 CE MARKING or N° x1.1 ASME



PRO-8-600-MMSP

ENGR BOA 16/11/2020	ECO 20120	REVISED 2/3/2022	DRAWING 103471	REV E
QLTY ID 16/11/2020				
MRKT GCM 16/11/2020				