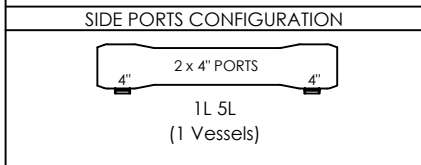


GENERAL DIMENSIONS				
Shell Length Code	L	P3	S	Empty Weight
	mm	mm	Standard Span mm	kg
-1	1565	1168.4	1@635	73
-1.5	2073	1676.4	1@1067	79
-2	2581	2184.4	1@1422	85
-3	3597	3200.4	1@2032	99
-4	4613	4216.4	2@1626	112
-5	5629	5232.4	2@1981	125
-6	6645	6248.4	2@2337	138
-7	7663	7264.4	2@2692	151
-7.5	8169	7772.4	2@2896	158
-8	8679	8280.4	2@3048	165



BILL OF MATERIALS				
ITEM	QTY	P/N	DESCRIPTION	MATERIAL
1	1	4080880	Shell	Filament Wound, Epoxy FRP
2	2	4080034	Bearing Plate	6061-T6 Aluminum, Anodized
3	2	4080177-3	Sealing Plate	Noryl
4	2	4080879	Feed/Concentrate Port (4\"/>	

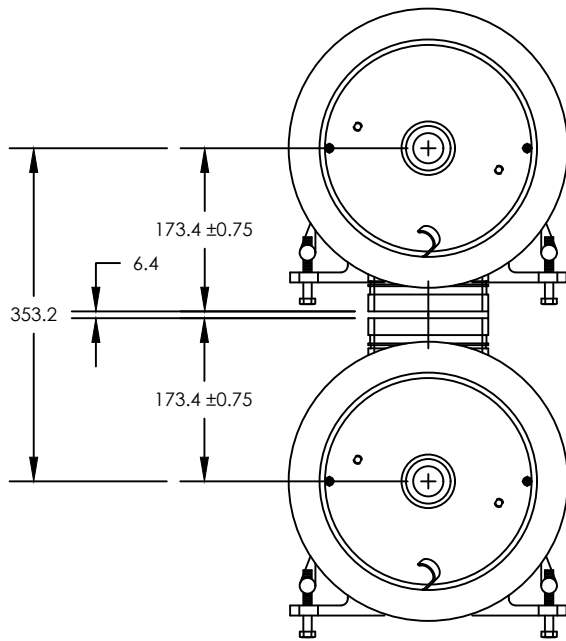
* Different Permeate Port connections available upon request
 ** 3 saddles are supplied when vessels are -4 elements or longer

NOTES:
 DIMENSIONS IN MM
 FOR REFERENCE ONLY, NOT FOR CONSTRUCTION UNLESS CERTIFIED
 FOR VESSEL INSTALLATION AND MAINTENANCE PLEASE REFER TO PROTEC ARISAWA USER'S MANUAL
 CENTER VESSEL ON SUPPORTS AT SPAN(S) "S". 3 POINT SUPPORT QUOTED SEPARATELY FOR SHELL LENGTHS -4 AND LONGER.
 INTERNAL PERMEATE PRESSURE MUST NOT EXCEED 125 PSI.
 ASME SECTION X, RP CODE STAMP OPTIONAL
 PRO-8-1000-MMSP MODEL AVAILABLE SIDE PORT SIZES: 1.5\"/>

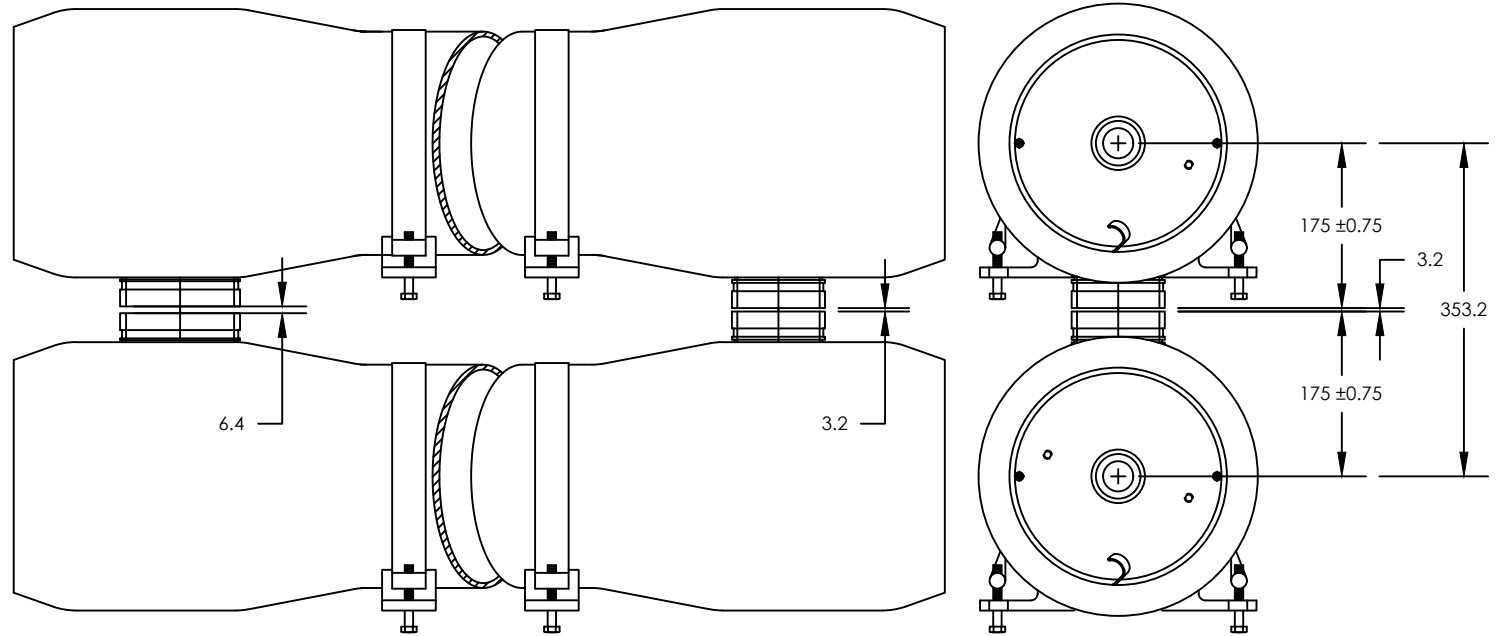


ENGR BOA 29/04/2021	PRO-8-1000-MMSP			
QLTY PM 29/04/2021	ECO 21053	REVISED 29/04/2021	DRAWING 103468	REV C
MRKT OB 29/04/2021				

SIDE PORT 4"



SIDE PORT 3" or SMALLER



IPS GROOVED END ALLOWABLE PIPE END SEPARATION:

- 4" VICTAULIC : 6,4mm
- 3" VICTAULIC : 3,2mm
- 2.5" VICTAULIC : 3,2mm
- 2" VICTAULIC : 3,2mm
- 1.5" VICTAULIC : 3,2mm

NOTES:
DIMENSIONS IN MM

FOR REFERENCE ONLY, NOT FOR CONSTRUCTION UNLESS CERTIFIED

FOR VESSEL INSTALLATION AND MAINTENANCE PLEASE REFER TO PROTEC ARISAWA USER'S MANUAL

CENTER VESSEL ON SUPPORTS AT SPAN(S) "S". 3 POINT SUPPORT QUOTED SEPARATELY FOR SHELL LENGTHS -4 AND LONGER.

INTERNAL PERMEATE PRESSURE MUST NOT EXCEED 125 PSI.

ASME SECTION X, RP CODE STAMP OPTIONAL

PRO-8-1000-MMSP MODEL AVAILABLE SIDE PORT SIZES: 1.5" / 2" / 2.5" / 3" / 4"

DESIGN PRESSURE = 1000 PSI
DESIGN TEMPERATURE = Min. -7°C (20 °F) - Max. 49°C (120°F)
FOR OTHER TEMPERATURES OUT OF THIS RANGE CONTACT PROTEC ARISAWA
HYDROTEST PRESSURE: N° x1.43 CE MARKING or N° x1.1 ASME



ENGR BOA 29/04/2021	<h1>PRO-8-1000-MMSP</h1>			
QTTY PM 29/04/2021				
MRKT OB 29/04/2021	ECO 21053	REVISED 29/04/2021	DRAWING 103468	REV C