

#### GENERAL DIMENSIONS

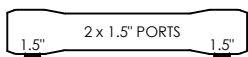
Shell Length Code	L mm	P1 STANDARD mm	P2 Optional mm	P3 Optional mm	S Span mm	Empty Weight kg
-1	1565	1194	1143	1168.4	1 @ 635	70
-1.5	2073	1702	1651	1676.4	1 @ 1067	79
-2	2581	2210	2159	2184.4	1 @ 1422	87
-3	3597	3226	3175	3200.4	1 @ 2032	104
-4	4613	4242	4191	4216.4	2 @ 1626	120
-5	5629	5258	5207	5232.4	2 @ 1981	137
-6	6645	6274	6223	6248.4	2 @ 2337	154
-7	7661	7290	7239	7264.4	2 @ 2692	170
-7.5	8169	7798	7747	7772.4	2 @ 2896	179
-8	8679	8306	8255	8280.4	2 @ 3048	187

#### BILL OF MATERIALS

ITEM	QTY	P/N	DESCRIPTION	MATERIAL
1	1	4080530	Shell	Filament Wound, Epoxy FRP
2	2	4080725	Bearing Plate	6061-T6 Aluminum, Hard Anodized
3	2	4080177-3	Sealing Plate	Noryl
4	2	4080234	Feed/Concentrate Port 1.5", "D"	Stainless Steel, Super Duplex
5	2	6121187	Retaining Ring, F/C Port 1.5", "D"	Stainless Steel, 316L - Outer
5*	2	6121187-4	Retaining Ring, F/C Port 1.5", "D"	Stainless Steel, Super Duplex - Inner
6	2	6184604	Seal, F/C Port 1.5", "D"	Ethylene Propylene
*7	1	4080308	Permeate Port	Noryl
8	2	6100442	Head Seal	Ethylene Propylene
9	2	6180229	Permeate Port Seal	Ethylene Propylene
10	2	4080474	Locking segment	Stainless Steel, 316L
11	2	6121200	Retaining Ring, Permeate Port	Stainless Steel, 316L
**12	2	4080175	Support Saddle	Thermoplastic Rubber
13	2	4080800	Strap Assembly [M8]	Stainless Steel, 316L
14	4	6150072	Strap Screw [M8x70mm]	Stainless Steel, A4
15	2	5080074	Membrane Adapter	Noryl
16	1	4080165	Thrust Cone	PVC Thermoplastic
17	2	6180326	Adapter Seal	Ethylene Propylene
18	4	6180119	PWT Seal	Ethylene Propylene
19	6	6150020	Head Screw [M10x20mm]	Stainless steel, A4
20	2	4080062	Shim, Adapter [5mm]	Noryl
21	2	4080704	Shim, Adapter [2mm]	Noryl
22	2	6180031	Permeate Port Secondary Seal	Ethylene Propylene

\* Different Permeate Port connections available upon request  
 \*\* 3 saddles are supplied when vessels are -4 elements or longer

#### SIDE PORTS CONFIGURATION



1D 5D  
 (1 Vessel)

#### NOTES:

DIMENSIONS IN MM

FOR REFERENCE ONLY, NOT FOR CONSTRUCTION UNLESS CERTIFIED

FOR VESSEL INSTALLATION AND MAINTENANCE PLEASE REFER TO PROTEC ARISAWA USER'S MANUAL

CENTER VESSEL ON SUPPORTS AT SPAN(S) "S". 3 POINT SUPPORT QUOTED SEPARATELY FOR SHELL LENGTHS -4 AND LONGER.

INTERNAL PERMEATE PRESSURE MUST NOT EXCEED 125 PSI.

ASME SECTION X, RP CODE STAMP OPTIONAL

BPV-8-1200-SP MODEL AVAILABLE SIDE PORT SIZES: 1.5" / 2" / 2.5"

DESIGN PRESSURE = 1200 PSI

DESIGN TEMPERATURE = Min. -7°C (20 °F) - Max. 49°C (120°F)

FOR OTHER TEMPERATURES OUT OF THIS RANGE CONTACT PROTEC ARISAWA  
 HYDROTEST PRESSURE: N° x1.43 CE MARKING or N° x1.1 ASME



# BPV-8-1200-SP

ENGR

BOA  
29/04/2021

QLTY

PM  
29/04/2021

MRKT

OB  
29/04/2021

ECO

21053

REVISED

29/04/2021

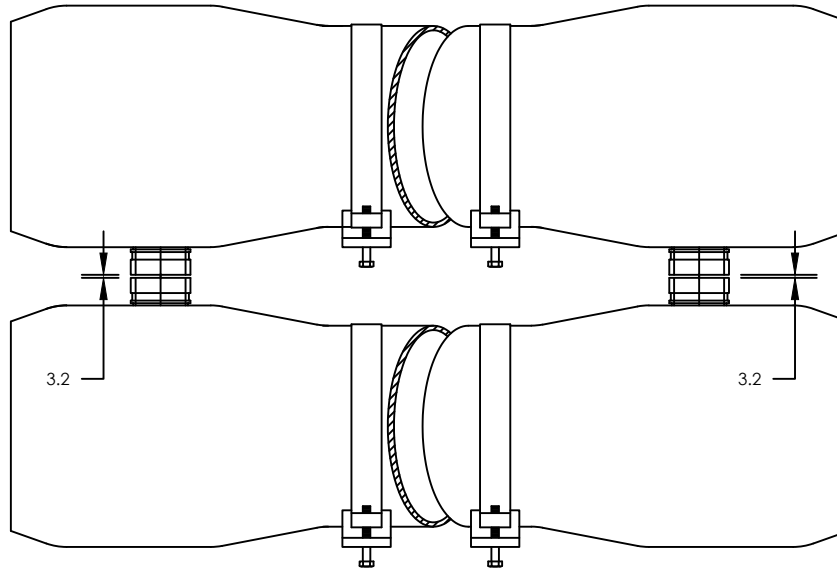
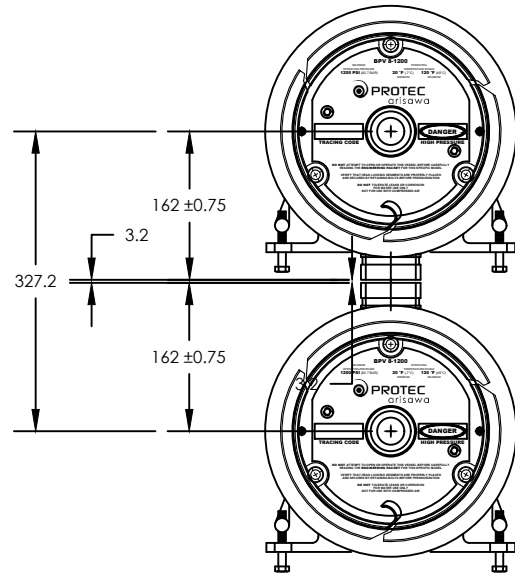
DRAWING

101042

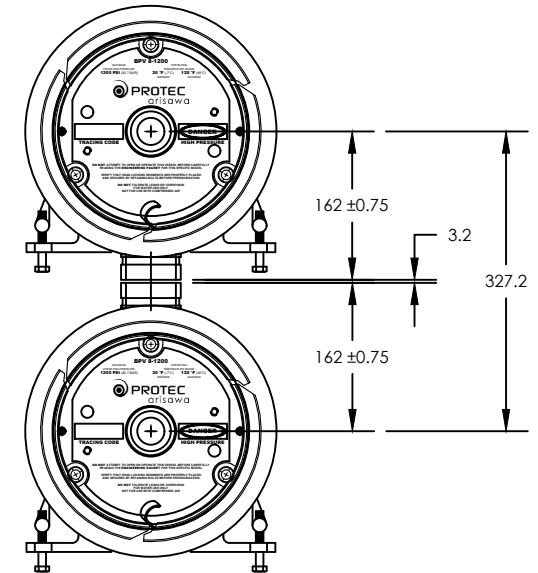
REV

J

SIDE PORT  
1-1/2"  
2"  
2-1/2"



SIDE PORT  
1-1/2"  
2"  
2-1/2"



**EXAMPLE FOR VICTAULIC COUPLING FOR ALLOWABLE PIPE END SEPARATION:**

2.5" VICTAULIC : 3,2mm

2" VICTAULIC : 3,2mm

1.5" VICTAULIC : 3,2mm

For other coupling suppliers, please refer to their technical spec.

NOTES:  
DIMENSIONS IN MM  
FOR REFERENCE ONLY, NOT FOR CONSTRUCTION UNLESS CERTIFIED  
FOR VESSEL INSTALLATION AND MAINTENANCE PLEASE REFER TO PROTEC ARISAWA USER'S MANUAL  
CENTER VESSEL ON SUPPORTS AT SPAN(S) "S". 3 POINT SUPPORT QUOTED SEPARATELY FOR SHELL LENGTHS -4 AND LONGER.  
INTERNAL PERMEATE PRESSURE MUST NOT EXCEED 125 PSI.  
ASME SECTION X, RP CODE STAMP OPTIONAL  
BPV-8-1200-SP MODEL AVAILABLE SIDE PORT SIZES: 1.5" / 2" / 2.5"  
DESIGN PRESSURE = 1200 PSI  
DESIGN TEMPERATURE = Min. -7°C (20 °F) - Max. 49°C (120°F)  
FOR OTHER TEMPERATURES OUT OF THIS RANGE CONTACT PROTEC ARISAWA  
HYDROTEST PRESSURE: N° x1.43 CE MARKING or N° x1.1 ASME



**BPV-8-1200-SP**

ENGR BOA 29/04/2021	ECO 21053	REVISED 29/04/2021	DRAWING 101042	REV J
QLTY PM 29/04/2021				
MRKT OB 29/04/2021				