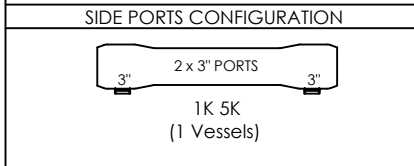


GENERAL DIMENSIONS				
Shell Length Code	L mm	P3 mm	S Standard Span mm	Empty Weight kg
-1	1500	1168.4	1@635	55
-1.5	2008	1676.4	1@1067	60
-2	2516	2184.4	1@1422	65
-3	3532	3200.4	1@2032	76
-4	4548	4216.4	2@1626	86
-5	5564	5232.4	2@1981	97
-6	6580	6248.4	2@2337	106
-7	7598	7264.4	2@2692	116
-7.5	8103	7772.4	2@2896	122
-8	8614	8280.4	2@3048	127



BILL OF MATERIALS				
ITEM	QTY	P/N	DESCRIPTION	MATERIAL
1	1	4080238	Shell	Filament Wound, Epoxy FRP
2	2	4080032	Bearing Plate	6061-T6 Aluminum, Hard Anodized
3	2	4080177-3	Sealing Plate	Noryl
4	2	4080240	Feed/Concentrate Port 3", "K"	Stainless Steel, 316L
5	2	6121343	Retaining Ring, F/C Port 3", "K"	Stainless Steel, 316L
6	2	6121373	Retaining Ring, F/C Port 3", "K"	Stainless Steel, Super Duplex
7	2	6180340	Seal, F/C Port 3", "K"	Ethylene Propylene
*8	2	4080309	Permeate Port	Noryl
9	2	6100442	Head Seal	Ethylene Propylene
10	2	6180229	Permeate Port Seal	Ethylene Propylene
11	2	4080320	Retaining Ring w/ Finger Pull	Stainless Steel, 316L
12	2	6121200	Retaining Ring, Permeate Port	Stainless Steel, 316L
**13	2	4080174	Support Saddle	Thermoplastic Rubber
14	2	4080800	Strap Assembly [M8]	Stainless Steel, 316L
15	4	6150072	Strap Screw [M8x70mm]	Stainless Steel, A4
16	2	5080049	Membrane Adapter	Noryl
17	1	4080165-1	Thrust Cone	PVC Thermoplastic
18	2	6180326	Adapter Seal	Ethylene Propylene
19	4	6180119	PWT Seal	Ethylene Propylene
20	2	4080062	Shim, Adapter [5mm]	Noryl
21	2	4080704	Shim, Adapter [2mm]	Noryl
22	2	6180031	Permeate port Secondary Seal	Ethylene Propylene

* Different Permeate Port connections available upon request
 ** 3 saddles are supplied when vessels are -4 elements or longer

NOTES:
 DIMENSIONS IN MM
 FOR REFERENCE ONLY, NOT FOR CONSTRUCTION UNLESS CERTIFIED
 FOR VESSEL INSTALLATION AND MAINTENANCE PLEASE REFER TO PROTEC ARISAWA USER'S MANUAL
 CENTER VESSEL ON SUPPORTS AT SPAN(S) "S". 3 POINT SUPPORT QUOTED SEPARATELY FOR SHELL LENGTHS -4 AND LONGER.
 INTERNAL PERMEATE PRESSURE MUST NOT EXCEED 125 PSI.
 ASME SECTION X, RP CODE STAMP OPTIONAL
 PRO-8-600-MSP MODEL AVAILABLE SIDE PORT SIZES: 1.5" / 2" / 2.5" / 3"
 DESIGN PRESSURE = 600 PSI
 DESIGN TEMPERATURE = Min. -7°C (20 °F) - Max. 49°C (120°F)
 FOR OTHER TEMPERATURES OUT OF THIS RANGE CONTACT PROTEC ARISAWA
 HYDROTEST PRESSURE: N° x1.43 CE MARKING or N° x1.1 ASME

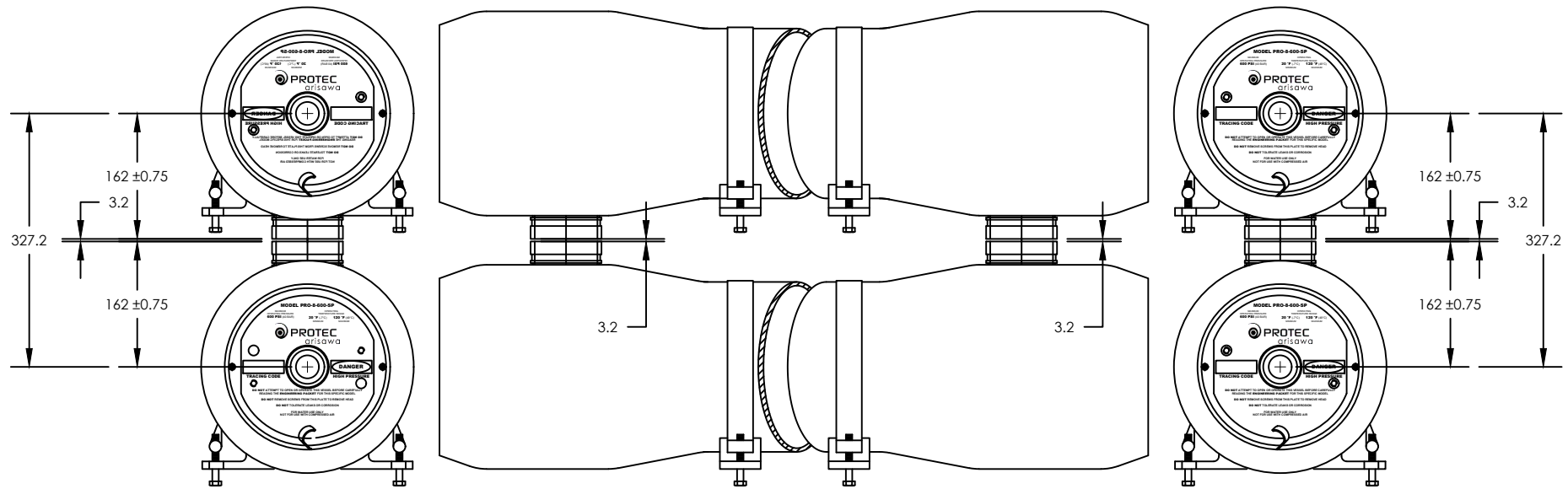


PRO-8-600-MSP

ENGR BOA 29/04/2021	ECO	REVISED 29/04/2021	DRAWING 101024	REV X
QLTY PM 29/04/2021	21053			
MRKT OB 29/04/2021				

SIDE PORT
1-1/2"
2"
2-1/2"
3"

SIDE PORT
1-1/2"
2"
2-1/2"
3"



EXAMPLE FOR VICTAULIC COUPLING FOR ALLOWABLE PIPE END SEPARATION:

- 3" VICTAULIC : 3,2mm
- 2.5" VICTAULIC : 3,2mm
- 2" VICTAULIC : 3,2mm
- 1.5" VICTAULIC : 3,2mm

For other coupling suppliers, please refer to their technical spec.

NOTES:
DIMENSIONS IN MM

FOR REFERENCE ONLY, NOT FOR CONSTRUCTION UNLESS CERTIFIED

FOR VESSEL INSTALLATION AND MAINTENANCE PLEASE REFER TO PROTEC ARISAWA USER'S MANUAL

CENTER VESSEL ON SUPPORTS AT SPAN(S) "S". 3 POINT SUPPORT QUOTED SEPARATELY FOR SHELL LENGTHS -4 AND LONGER.

INTERNAL PERMEATE PRESSURE MUST NOT EXCEED 125 PSI.

ASME SECTION X, RP CODE STAMP OPTIONAL

PRO-8-600-MSP MODEL AVAILABLE SIDE PORT SIZES: 1.5" / 2" / 2.5" / 3"

DESIGN PRESSURE = 600 PSI
DESIGN TEMPERATURE = Min. -7°C (20 °F) - Max. 49°C (120°F)
FOR OTHER TEMPERATURES OUT OF THIS RANGE CONTACT PROTEC ARISAWA
HYDROTEST PRESSURE: N° x1.43 CE MARKING or N° x1.1 ASME



PRO-8-600-MSP

ENGR	BOA			
	29/04/2021			
QLTY	PM			
	29/04/2021			
MRKT	ECO	REVISED	DRAWING	REV
	21053	29/04/2021	101024	X