

GENERAL DIMENSIONS

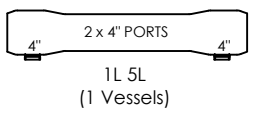
Shell Length Code	L mm	P3 Std. mm	P1 not acceptable for 4" side port mm	S Standard Span mm	Empty Weight kg
-1	1492	1168.4	1194	1@635	49
-1.5	2000	1676.4	1702	1@1067	53
-2	2508	2184.4	2210	1@1422	56
-3	3524	3200.4	3226	1@2032	64
-4	4540	4216.4	4242	2@1626	70
-5	5556	5232.4	5258	2@1981	77
-6	6572	6248.4	6274	2@2337	84
-7	7590	7264.4	7290	2@2692	92
-7.5	8096	7772.4	7798	2@2896	96
-8	8606	8280.4	8306	2@3048	99

BILL OF MATERIALS

ITEM	QTY	P/N	DESCRIPTION	MATERIAL
1	1	4080223	Shell	Filament Wound, Epoxy FRP
2	2	4080030	Bearing Plate	6061-T6 Aluminum, Hard Anodized
3	2	4080177-3	Sealing Plate	Noryl
4	2	4080912	Feed/Concentrate Port 4", "L"	Stainless Steel, 316L [Offset=154.4mm]
5	4	6201450	Retaining Ring, F/C Port 4", "L"	Stainless Steel, 316L
6	2	6180348	O-Ring, F/C Port 4", "L"	Ethylene Propylene
*7	2	4080309	Permeate Port	Noryl
8	2	6100442	Head Seal	Ethylene Propylene
9	2	6180229	Permeate Port Seal	Ethylene Propylene
10	2	4080320	Retaining Ring w/ Finger Pull	Stainless Steel, 316L
11	2	6121200	Retaining Ring, Permeate Port	Stainless Steel, 316L
**12	2	4080174	Support Saddle	Thermoplastic Rubber
13	2	4080800	Strap Assembly [M8]	Stainless Steel, 316L
14	4	6150072	Strap Screw [M8x70mm]	Stainless Steel, A4
15	2	5080049	Membrane Adapter	Noryl
16	1	4080165-1	Thrust Cone	PVC Thermoplastic
17	2	6180326	Adapter Seal	Ethylene Propylene
18	4	6180119	PWT Seal	Ethylene Propylene
19	2	4080254	Feed/Concentrate Port 3", "K"	Stainless Steel, 316L -[Offset=156mm]
20	4	6201343	Retaining Ring, F/C Port 3", "K"	Stainless Steel, 316L
21	2	6188504	O-Ring, F/C Port 3", "K"	Ethylene Propylene
22	2	4080062	Shim, Adapter [5mm]	Noryl
23	2	4080704	Shim, Adapter [2mm]	Noryl
24	2	6180031	Permeate Port Secondary Seal	Ethylene Propylene

* Different Permeate Port connections available upon request
 ** 3 saddles are supplied when vessels are -4 elements or longer

SIDE PORTS CONFIGURATION



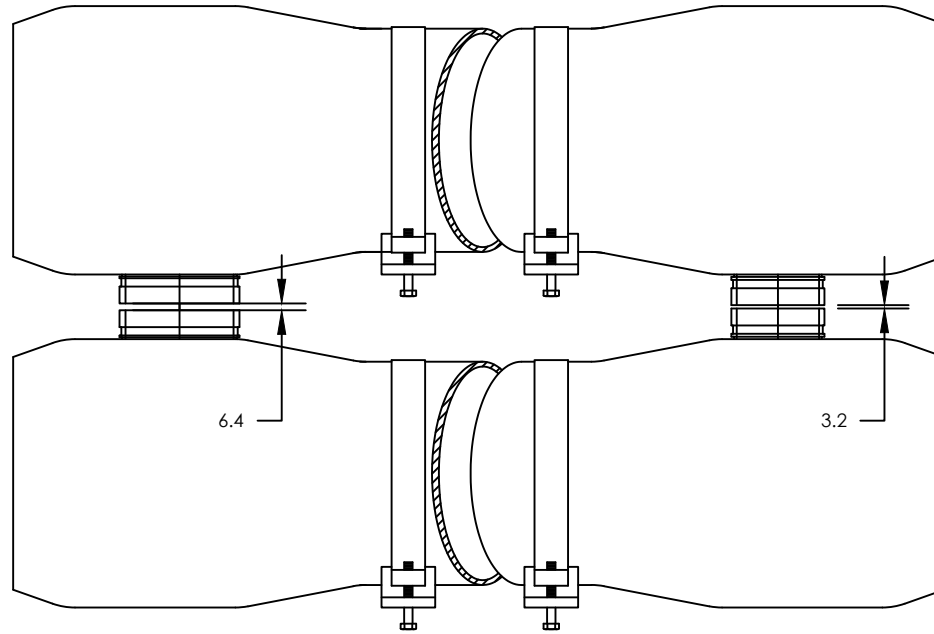
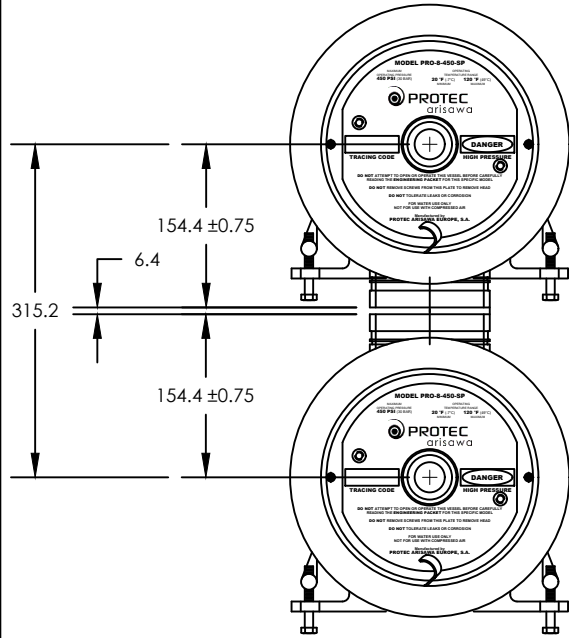
NOTES:
 DIMENSIONS IN MM
 FOR REFERENCE ONLY, NOT FOR CONSTRUCTION UNLESS CERTIFIED
 FOR VESSEL INSTALLATION AND MAINTENANCE PLEASE REFER TO PROTEC ARISAWA USER'S MANUAL
 CENTER VESSEL ON SUPPORTS AT SPAN(S) "S". 3 POINT SUPPORT QUOTED SEPARATELY FOR SHELL LENGTHS -4 AND LONGER.
 INTERNAL PERMEATE PRESSURE MUST NOT EXCEED 125 PSI.
 ASME SECTION X, RP CODE STAMP OPTIONAL
 PRO-8-450-MSP MODEL AVAILABLE SIDE PORT SIZES: 1.5" / 2" / 2.5" / 3" / 4"
 DESIGN PRESSURE = 450 PSI
 DESIGN TEMPERATURE = Min. -7°C (20 °F) - Max. 49°C (120°F)
 FOR OTHER TEMPERATURES OUT OF THIS RANGE CONTACT PROTEC ARISAWA
 HYDROTEST PRESSURE: N° x1.43 CE MARKING or N° x1.1 ASME



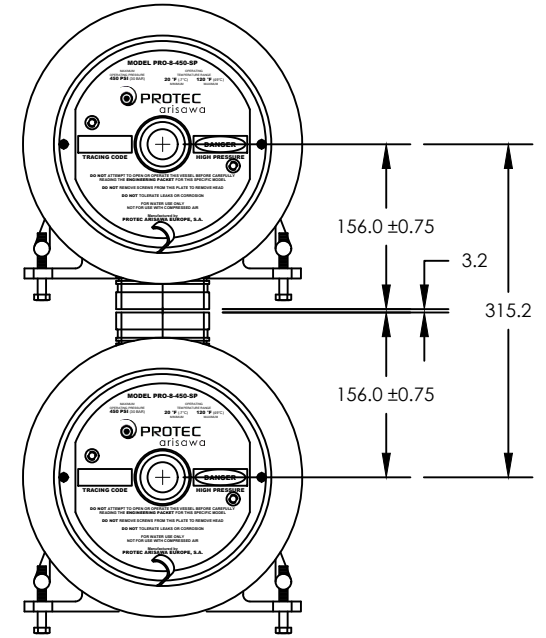
PRO-8-450-MSP

ENGR BOA 29/04/2021				
QLTY PM 29/04/2021				
MRKT OB 29/04/2021	ECO 21053	REVISED 29/04/2021	DRAWING 101023	REV X

SIDE PORT 4"



SIDE PORT 3" or SMALLER



EXAMPLE FOR VICTAULIC COUPLING FOR ALLOWABLE PIPE END SEPARATION:

4" VICTAULIC : 6,4mm

3" VICTAULIC : 3,2mm

2.5" VICTAULIC : 3,2mm

2" VICTAULIC : 3,2mm

1.5" VICTAULIC : 3,2mm

For other coupling suppliers, please refer to their technical spec.

NOTES:
DIMENSIONS IN MM
FOR REFERENCE ONLY, NOT FOR CONSTRUCTION UNLESS CERTIFIED
FOR VESSEL INSTALLATION AND MAINTENANCE PLEASE REFER TO PROTEC ARISAWA USER'S MANUAL
CENTER VESSEL ON SUPPORTS AT SPAN(S) "S". 3 POINT SUPPORT QUOTED SEPARATELY FOR SHELL LENGTHS -4 AND LONGER.
INTERNAL PERMEATE PRESSURE MUST NOT EXCEED 125 PSI.
ASME SECTION X, RP CODE STAMP OPTIONAL
PRO-8-450-MSP MODEL AVAILABLE SIDE PORT SIZES: 1.5" / 2" / 2.5" / 3" / 4"
DESIGN PRESSURE = 450 PSI
DESIGN TEMPERATURE = Min. -7°C (20°F) - Max. 49°C (120°F)
FOR OTHER TEMPERATURES OUT OF THIS RANGE CONTACT PROTEC ARISAWA
HYDROTEST PRESSURE: N° x1.43 CE MARKING or N° x1.1 ASME



PRO-8-450-MSP

ENGR BOA 29/04/2021				
QLTY ID 29/04/2021				
MRKT GCM 29/04/2021	ECO 21053	REVISED 29/04/2021	DRAWING 101023	REV X