

GENERAL DIMENSIONS

Shell Length Code	L mm	P3 mm	P1 not acceptable for 4" side port mm	S Standard Span mm	Empty Weight kg
-1	1483	1168.4	1194	1@635	46
-1.5	1991	1676.4	1702	1@1067	49
-2	2499	2184.4	2210	1@1422	52
-3	3515	3200.4	3226	1@2032	57
-4	4531	4216.4	4242	2@1626	62
-5	5547	5232.4	5258	2@1981	67
-6	6563	6248.4	6274	2@2337	72
-7	7579	7264.4	7290	2@2692	77
-7.5	8087	7772.4	7798	2@2896	79
-8	8596	8280.4	8306	2@3048	82

BILL OF MATERIALS

ITEM	QTY	P/N	DESCRIPTION	MATERIAL
1	1	4080196	Shell	Filament Wound, Epoxy FRP
2	2	4080028	Bearing Plate	6061-T6 Aluminum, Hard Anodized
3	2	4080177-3	Sealing Plate	Noryl
4	2	4080912	Feed/Concentrate Port 4", "L"	Stainless Steel, 316L - [Offset=154.4mm]
5	4	6201450	Retaining Ring, F/C Port 4", "L"	Stainless Steel, 316L
6	2	6180348	O-Ring, F/C Port 4", "L"	Ethylene Propylene
*7	2	4080309	Permeate Port	Noryl
8	2	6100442	Head Seal	Ethylene Propylene
9	2	6180229	Permeate Port Seal	Ethylene Propylene
10	2	4080320	Retaining Ring w/ Finger Pull	Stainless Steel, 316L
11	2	6121200	Retaining Ring, Permeate Port	Stainless Steel, 316L
**12	2	4080173	Support Saddle	Thermoplastic Rubber
13	2	4080800	Strap Assembly [M8]	Stainless Steel, 316L
14	4	6150072	Strap Screw [M8x70mm]	Stainless Steel, A4
15	2	5080049	Membrane Adapter	Noryl
16	1	4080165-1	Thrust Cone	PVC Thermoplastic
17	2	6180326	Adapter Seal	Ethylene Propylene
18	4	6180119	PWT Seal	Ethylene Propylene
19	2	4080254	Feed/Concentrate Port 3", "K"	Stainless Steel, 316L - [Offset=156mm]
20	4	6201343	Retaining Ring, F/C Port 3", "K"	Stainless Steel, 316L
21	2	6188504	O-Ring, F/C Port 3", "K"	Ethylene Propylene
22	2	4080062	Shim, Adapter [5mm]	Noryl
23	2	4080704	Shim, Adapter [2mm]	Noryl
24	2	6180031	Permeate Port Secondary Seal	Ethylene Propylene

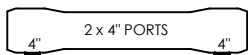
* Different Permeate Port connections available upon request
 ** 3 saddles are supplied when vessels are -4 elements or longer

NOTES:
 DIMENSIONS IN MM
 FOR REFERENCE ONLY, NOT FOR CONSTRUCTION UNLESS CERTIFIED
 FOR VESSEL INSTALLATION AND MAINTENANCE PLEASE REFER TO PROTEC ARISAWA USER'S MANUAL
 CENTER VESSEL ON SUPPORTS AT SPAN(S) "S". 3 POINT SUPPORT QUOTED SEPARATELY FOR SHELL LENGTHS -4 AND LONGER.
 INTERNAL PERMEATE PRESSURE MUST NOT EXCEED 125 PSI.
 ASME SECTION X, RP CODE STAMP OPTIONAL
 PRO-8-300-MSP MODEL AVAILABLE SIDE PORT SIZES: 1.5" / 2" / 2.5" / 3" / 4"
 DESIGN PRESSURE = 300 PSI
 DESIGN TEMPERATURE = Min. -7°C (20 °F) - Max. 49°C (120°F)
 FOR OTHER TEMPERATURES OUT OF THIS RANGE CONTACT PROTEC ARISAWA
 HYDROTEST PRESSURE: N° x1.43 CE MARKING or N° x1.1 ASME



PRO-8-300-MSP

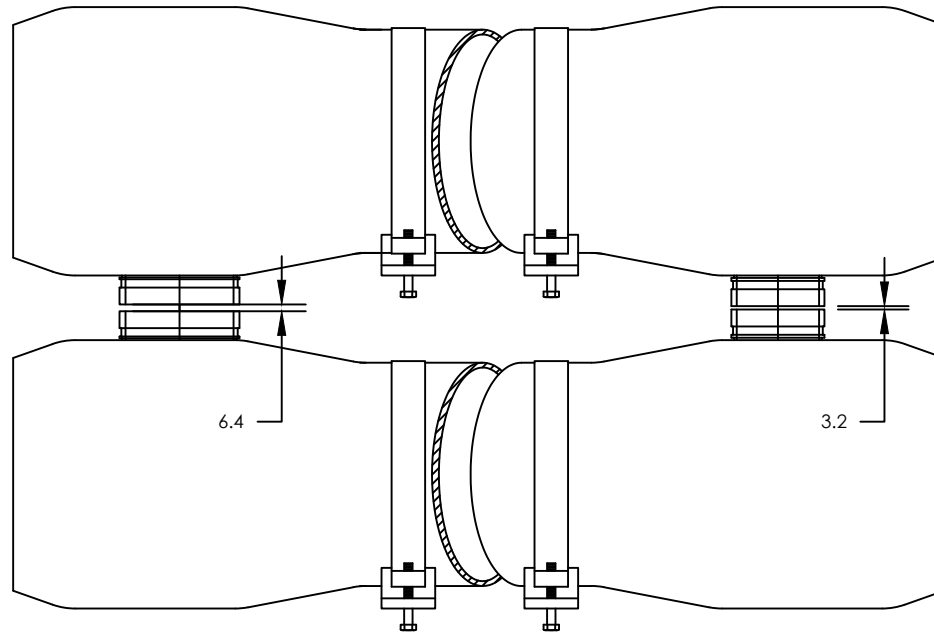
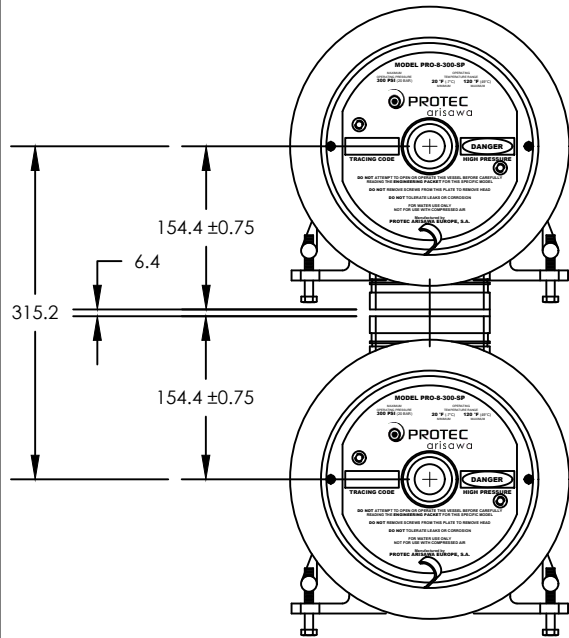
SIDE PORTS CONFIGURATION



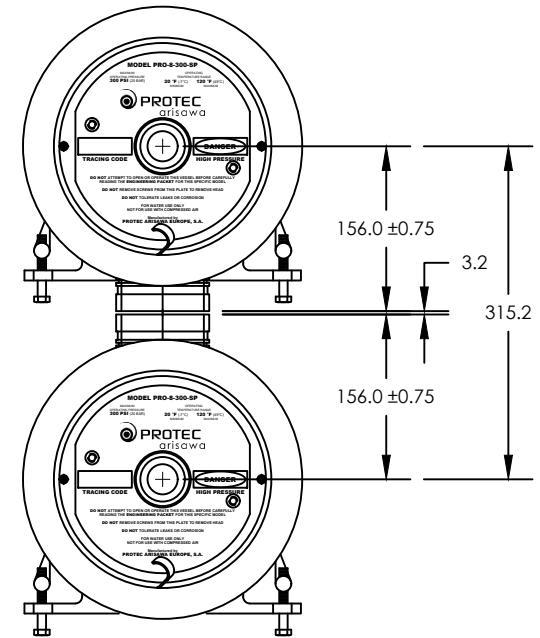
1L 5L
 (1 Vessels)

ENGR BOA 29/04/2021	ECO	REVISED 29/04/2021	DRAWING 101021	REV Z
QLTY PM 29/04/2021	21053			
MRKT OB 29/04/2021				

SIDE PORT 4"



SIDE PORT 3" or SMALLER



EXAMPLE FOR VICTAULIC COUPLING FOR ALLOWABLE PIPE END SEPARATION:

- 4" VICTAULIC : 6,4mm
- 3" VICTAULIC : 3,2mm
- 2.5" VICTAULIC : 3,2mm
- 2" VICTAULIC : 3,2mm
- 1.5" VICTAULIC : 3,2mm

For other coupling suppliers, please refer to their technical spec.

NOTES:
 DIMENSIONS IN MM
 FOR REFERENCE ONLY, NOT FOR CONSTRUCTION UNLESS CERTIFIED
 FOR VESSEL INSTALLATION AND MAINTENANCE PLEASE REFER TO PROTEC ARISAWA USER'S MANUAL
 CENTER VESSEL ON SUPPORTS AT SPAN(S) "S". 3 POINT SUPPORT QUOTED SEPARATELY FOR SHELL LENGTHS -4 AND LONGER.
 INTERNAL PERMEATE PRESSURE MUST NOT EXCEED 125 PSI.
 ASME SECTION X, RP CODE STAMP OPTIONAL
 PRO-8-300-MSP MODEL AVAILABLE SIDE PORT SIZES: 1.5" / 2" / 2.5" / 3" / 4"
 DESIGN PRESSURE = 300 PSI
 DESIGN TEMPERATURE = Min. -7°C (20 °F) - Max. 49°C (120°F)
 FOR OTHER TEMPERATURES OUT OF THIS RANGE CONTACT PROTEC ARISAWA
 HYDROTEST PRESSURE: N° x1.43 CE MARKING or N° x1.1 ASME



PRO-8-300-MSP

ENGR BOA 29/04/2021				
QLTY PM 29/04/2021				
MRKT OB 29/04/2021	ECO 21053	REVISED 29/04/2021	DRAWING 101042	REV Z