

**GENERAL DIMENSIONS**

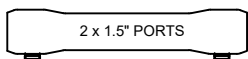
Shell Length Code	L mm	P1 STANDARD mm	P2 Optional mm	P3 Optional mm	S Span mm	Empty Weight kg
-1	1492	1194	1143	1168.4	1@635	40
-1.5	2000	1702	1651	1676.4	1@1067	44
-2	2508	2210	2159	2184.4	1@1422	47
-3	3524	3226	3175	3200.4	1@2032	54
-4	4540	4242	4191	4216.4	2@1626	60
-5	5556	5258	5207	5232.4	2@1981	68
-6	6572	6274	6223	6248.4	2@2337	75
-7	7590	7290	7239	7264.4	2@2692	82
-7.5	8095	7798	7747	7772.4	2@2896	86
-8	8606	8306	8255	8280.4	2@3048	89

**BILL OF MATERIALS**

ITEM	QTY	P/N	DESCRIPTION	MATERIAL
1	1	4080020	Shell	Filament Wound, Epoxy FRP
2	2	4080030	Bearing Plate	6061-T6 Aluminum, Anodized
3	2	4080177-3	Sealing Plate	Noryl
4	2	4080244	Feed/Concentrate Port, 1.5", "D"	Stainless Steel, 316L
5	4	6121187	Retaining Ring, F/C Port, 1.5", "D"	Stainless Steel, 316L
6	2	6184604	O-Ring Seal, F/C Port, 1.5", "D"	Ethylene Propylene
*7	2	4080309	Permeate Port	Noryl
8	2	6100442	Head Seal	Ethylene Propylene
9	2	6180229	Permeate Port Seal	Ethylene Propylene
10	2	4080320	Retaining Ring w/ Finger Pull	Stainless Steel, 316L
11	2	6121200	Retaining Ring, Permeate Port	Stainless Steel, 316L
**12	2	4080174	Support Saddle	Thermoplastic Rubber
13	2	4080800	Strap Assembly [M8]	Stainless Steel, 316L
14	4	6150072	Strap Screw [M8x70mm]	Stainless Steel, A4
15	2	5080049	Adapter	Noryl
16	1	4080165-1	Thrust Cone	PVC Thermoplastic
17	2	6180326	Adapter Seal	Ethylene Propylene
18	4	6180119	PWT Seal	Ethylene Propylene
19	2	4080062	Shim, Adapter (5mm)	Noryl
20	2	4080704	Shim, Adapter (2mm)	Noryl
21	2	6180031	Permeate Port Secondary Seal	Ethylene Propylene

\* Different Permeate Port connections available upon request  
 \*\* 3 saddles are supplied when vessels are -4 elements or longer

**SIDE PORTS CONFIGURATION**



1D 5D  
(1 Vessels)

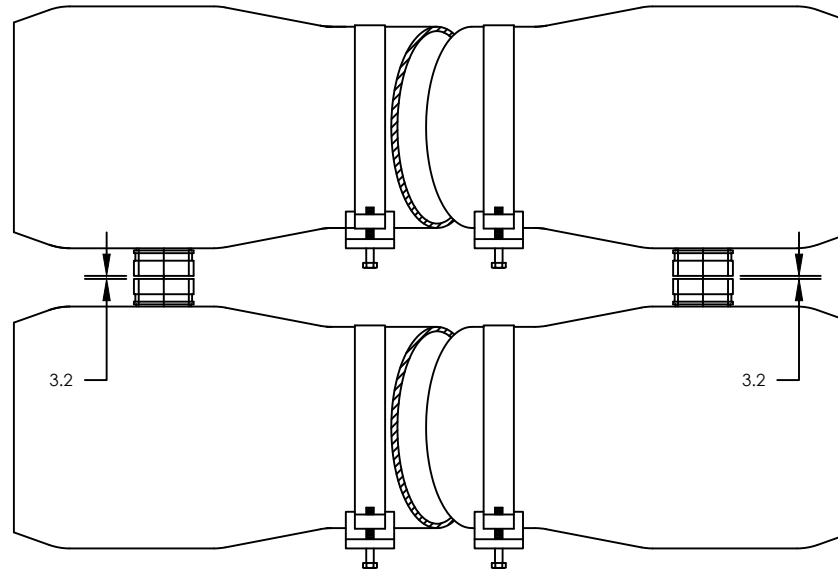
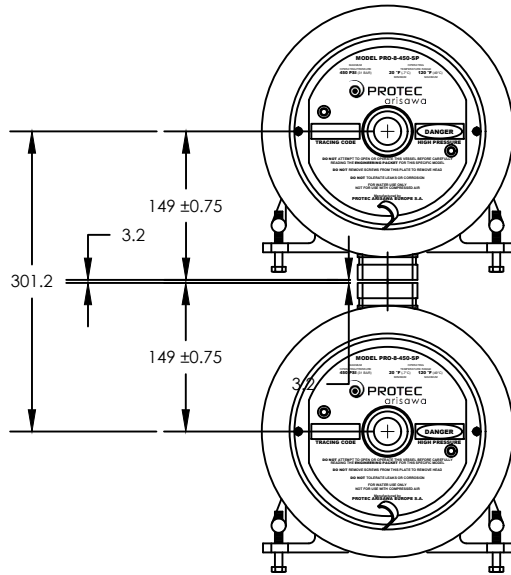
NOTES:  
 DIMENSIONS IN MM  
 FOR REFERENCE ONLY, NOT FOR CONSTRUCTION UNLESS CERTIFIED  
 FOR VESSEL INSTALLATION AND MAINTENANCE PLEASE REFER TO PROTEC ARISAWA USER'S MANUAL  
 CENTER VESSEL ON SUPPORTS AT SPAN(S) "S". 3 POINT SUPPORT QUOTED SEPARATELY FOR SHELL LENGTHS -4 AND LONGER.  
 INTERNAL PERMEATE PRESSURE MUST NOT EXCEED 125 PSI.  
 ASME SECTION X, RP CODE STAMP OPTIONAL  
 PRO-8-450-SP MODEL AVAILABLE SIDE PORT SIZES: 1.5" / 2" / 2.5"  
 DESIGN PRESSURE = 450 PSI  
 DESIGN TEMPERATURE = Min. -7°C (20 °F) - Max. 49°C (120°F)  
 FOR OTHER TEMPERATURES OUT OF THIS RANGE CONTACT PROTEC ARISAWA  
 HYDROTEST PRESSURE: N° x1.43 CE MARKING or N° x1.1 ASME



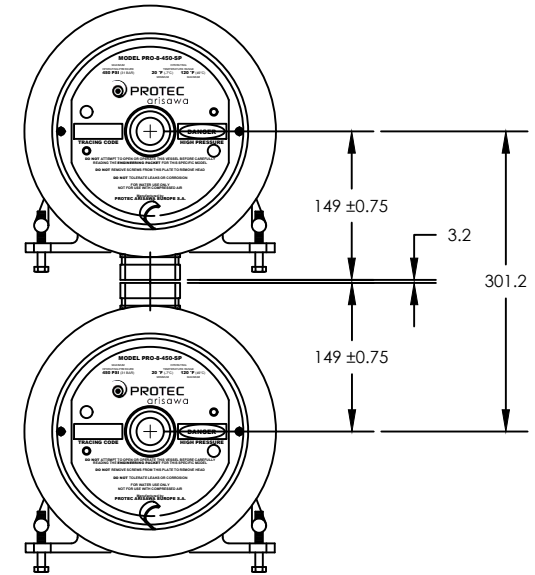
**PRO-8-450-SP**

ENGR BOA 29/04/2021				
QLTY PM 29/04/2021				
MRKT OB 29/04/2021	ECO 21053	REVISED 29/04/2021	DRAWING 101003	REV AC

SIDE PORT  
1-1/2"  
2"  
2-1/2"



SIDE PORT  
1-1/2"  
2"  
2-1/2"



EXAMPLE FOR VICTAULIC COUPLING FOR ALLOWABLE PIPE END SEPARATION:

2.5" VICTAULIC : 3,2mm

2" VICTAULIC : 3,2mm

1.5" VICTAULIC : 3,2mm

For other coupling suppliers, please refer to their technical spec.

NOTES:  
DIMENSIONS IN MM  
FOR REFERENCE ONLY, NOT FOR CONSTRUCTION UNLESS CERTIFIED  
FOR VESSEL INSTALLATION AND MAINTENANCE PLEASE REFER TO PROTEC ARISAWA USER'S MANUAL  
CENTER VESSEL ON SUPPORTS AT SPAN(S) "S". 3 POINT SUPPORT QUOTED SEPARATELY FOR SHELL LENGTHS -4 AND LONGER.  
INTERNAL PERMEATE PRESSURE MUST NOT EXCEED 125 PSI.  
ASME SECTION X, RP CODE STAMP OPTIONAL  
PRO-8-450-SP MODEL AVAILABLE SIDE PORT SIZES: 1.5" / 2" / 2.5"  
DESIGN PRESSURE = 450 PSI  
DESIGN TEMPERATURE = Min. -7°C (20 °F) - Max. 49°C (120°F)  
FOR OTHER TEMPERATURES OUT OF THIS RANGE CONTACT PROTEC ARISAWA  
HYDROTEST PRESSURE: N° x1.43 CE MARKING or N° x1.1 ASME



PRO-8-450-SP

ENGR BOA 29/04/2021	ECO 21053	REVISED 29/04/2021	DRAWING 101003	REV AC
QLTY PM 29/04/2021				
MRKT OB 29/04/2021				