

GENERAL DIMENSIONS

Shell Length Code	L inch (mm)	S Span in (mm)	Empty Weight lb (kg)
-1	44.3 (1125.2)	28 (711)	10 (5)
-2	84.3 (2141.2)	56 (1422)	18 (8)
-3	124.3 (3157.2)	80 (2032)	26 (12)
-4	164.3 (4173.2)	2@64 (2@1626)	34 (15)
-5	204.3 (5189.2)	2@78 (2@1981)	42 (19)
-6	244.3 (6205.2)	2@92 (2@2337)	50 (23)

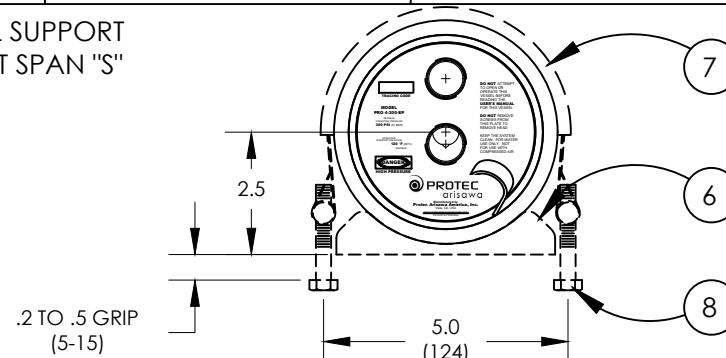
BILL OF MATERIALS

ITEM	QTY	P/N	DESCRIPTION	MATERIAL
1	1	4040084	Shell	Filament Wound, Epoxy FRP
2	2	4040087-1 4040088-1	End Plug, 1/2" NPT Feed (shown) End Plug, 3/4" NPT Feed	PVC Thermoplastic PVC Thermoplastic
3	2	4040079	Retaining Ring w/ Finger Pull	Stainless Steel, 300 Series, SA-479
4	2	6180342	Plug Seal, O-Ring	Ethylene Propylene
5	2	6180116	PWT Seal, O-Ring	Ethylene Propylene

OPTIONAL VESSEL SUPPORT

6	2	4040037	Support Saddle	Polyurethane
7	2	4040040	Strap Assembly	Stainless Steel, 300 Series
8	4	6150001	Strap Screw	Stainless Steel, 18-8

OPTIONAL VESSEL SUPPORT
SUPPORT VESSEL AT SPAN "S"



NOTES:
DIMENSIONS IN INCHES (MM APPROX.)
FOR REFERENCE ONLY, NOT TO BE USED FOR CONSTRUCTION UNLESS CERTIFIED
CENTER VESSEL ON 2 SUPPORTS AT SPAN(S) "S". 3 SUPPORTS REQUIRED FOR LENGTHS -4 AND LONGER
INCORRECT MANIFOLDING WILL CAUSE SEVERE LOCAL STRESS AROUND PORT AND MAY RESULT IN LEAKS AND PREMATURE FAILURE. TAKE EVERY PRECAUTION LISTED IN THIS PACKET.
AS PER ASME AND CRN REQUIRED
ASME SECTION X 2019, RP/NB STAMP REQUIRED FOR CRN
SPECIFICATIONS SUBJECT TO CHANGE WITHOUT NOTICE



PRO 4-300-EP

ENGR AP 21/25/01	ECO	REVISED 21/25/01	DRAWING 104003	REV N
QLTY WJ 21/25/01	N/A			
MRKT DWE 21/25/01				