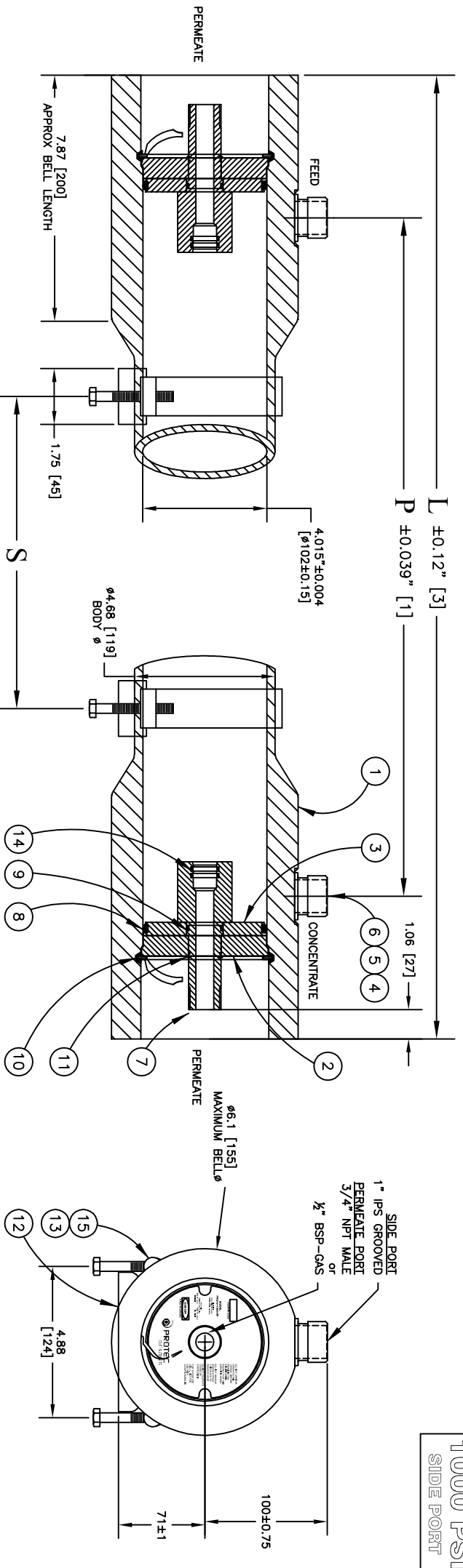


**1000 PSI**  
SIDE PORT



Shell Length Code	L Inch (mm)	P Inch (mm)	S Span Inch (mm)	Empty Weight lb (kg)
-1	50.31 (1278)	40.63 (1032)	1 @ 23.6 (1 @ 600)	TBD
-2	90.31 (2294)	80.63 (2048)	1 @ 47.2 (1 @ 1200)	TBD
-3	130.31 (3310)	120.63 (3064)	1 @ 73 (1 @ 1800)	TBD
-4	170.31 (4326)	160.63 (4080)	2 @ 63 (2 @ 1600)	TBD
-5	210.31 (5342)	200.63 (5096)	2 @ 78.7 (2 @ 2000)	TBD
-6	250.31 (6358)	240.63 (6112)	2 @ 98.4 (2 @ 2500)	TBD

ITEM	QTY	PIN	DESCRIPTION	MATERIAL
1	1	4040122	Shell	Flament Wound, Epoxy FRP
2	2	4040110	Bearing Plate	Aluminum, 6061 T6 Hard Anodized
3	2	4040106	Sealing Plate	PVC Thermoplastic
4	2	4040104	F/C Port	Super Duplex
5	2	4040108	F/C Port Nut	Super Duplex
6	2	6113404-N	Seal, F/C Port	Ethylene Propylene
7	2	4040107	Permeate Port 3/4" NPT	PVC Thermoplastic
8	2	6180342-N	Head Seal, O-Ring	Ethylene Propylene
9	2	6180120-N	Permeate Port Seal, O-Ring	Ethylene Propylene
10	2	4040079	Retaining Ring w/ Finger Pull	Stainless Steel, 316 Series
11	2	6121100	Retaining Ring, Permeate Port	Stainless Steel, 316 Series
12	2*	4040037	Support Saddle	Thermoplastic Rubber
13	2	4040040	Strap Assembly	Stainless Steel, 316L
14	4	6180116-N	PWT Seal, O-Ring	Ethylene Propylene
15	4	6150013	Strap Screw M8x100	Stainless Steel, A4

\*3 each with shell length -4 and longer

**NOTES:**  
DIMENSIONS IN INCH (mm)  
FOR REFERENCE ONLY. NOT TO BE USED FOR CONSTRUCTION UNLESS CERTIFIED  
CENTER VESSEL ON 2 SUPPORTS AT SPAN "S".  
INCORRECT MANIPULATING WILL CAUSE SEVERE LOCAL STRESS AROUND PORT AND MAY RESULT IN LEAKS AND PREMATURE FAILURE. TAKE EVERY PRECAUTION LISTED IN THIS PACKET.  
INTERNAL PERMEATE PRESSURE MUST NOT EXCEED 125 PSI.  
SPECIFICATIONS SUBJECT TO CHANGE WITHOUT NOTICE



**PRO 4-1000-SP**

ENGR BOA 30/01/17	QTY AL 30/01/17	ECO 15066	REVISED 30/01/17	DRAWING 104009	REV C
-------------------------	-----------------------	--------------	---------------------	-------------------	----------