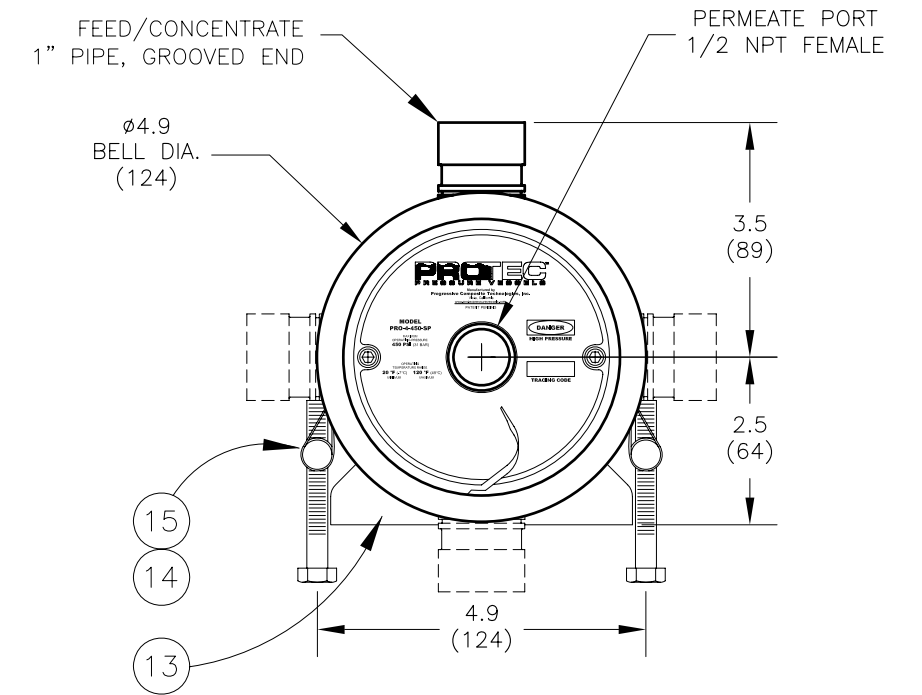
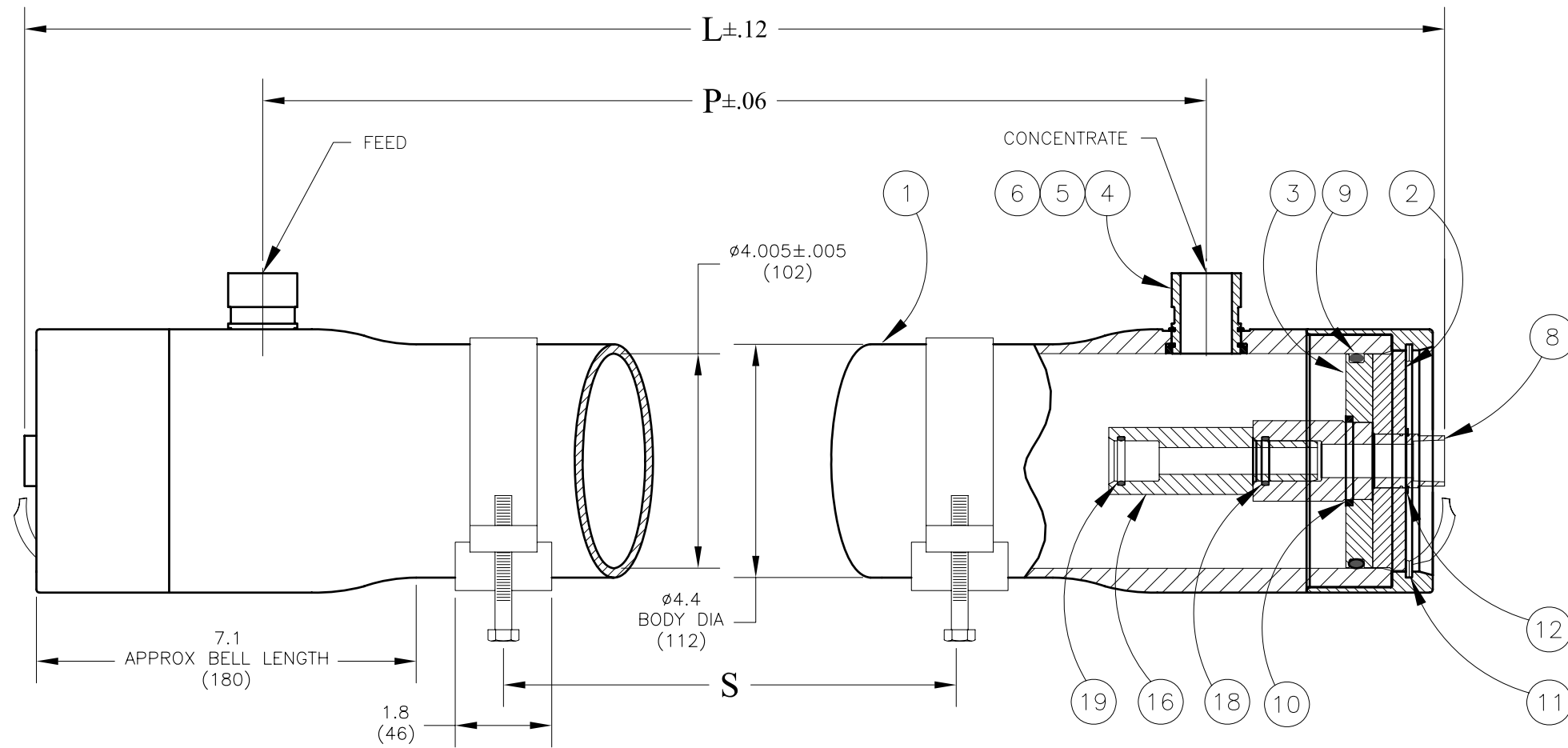


**450 PSI
SIDE PORT**



Shell Length Code	L inch (mm)	P Standard inch (mm)	S Span in (mm)	Empty Weight lb (kg)
-1	50.9 (1293)	42 (1067)	28 (711)	17 (8)
-2	90.9 (2309)	82 (2083)	56 (1422)	25 (11)
-3	130.9 (3325)	122 (3099)	80 (2032)	33 (15)
-4	170.9 (4341)	162 (4115)	2 @ 64 (2 @ 1626)	40 (18)
-5	210.9 (5357)	202 (5131)	2 @ 78 (2 @ 1981)	48 (22)
-6	250.9 (6373)	242 (6147)	2 @ 92 (2 @ 2337)	56 (25)

ITEM	QTY	P/N	DESCRIPTION	MATERIAL
1	1	3040023	Shell	Filament Wound, Epoxy FRP
2	2	4040027	Bearing Plate	6061-T6 Aluminum, SB-221
3	2	4040030-1	Sealing Plate	PVC Thermoplastic
4	A/R	4040031-1	Feed/Concentrate Port	Stainless Steel, 316L, SA-312
5	A/R	6120125	Retaining Ring, F/C Port	Stainless Steel, 300 Series
6	A/R	6110218-N	Seal, F/C Port, Square Seal	Ethylene Propylene
7				
8	2	4040052-1	Permeate Port	PVC Thermoplastic
9	2	6180342	Head Seal, O-Ring	Ethylene Propylene
10	2	6110221-N	Permeate Port Seal, Square Seal	Ethylene Propylene
11	2	4040079	Retaining Ring w/ Finger Pull	Stainless Steel, 316 Series
12	2	6121100	Retaining Ring, Permeate Port	Stainless Steel, 316 Series
13	2*	4040037	Support Saddle	Polyurethane
14	2	4040040	Strap Assembly	Stainless Steel, 300 Series
15	4	6150001	Strap Screw	Stainless Steel, 300 Series
16	2	A/R	Adapter	PVC Thermoplastic
17				
18	2	6180116	Adapter Seal, O-Ring	Ethylene Propylene
19	2	A/R	PWT Seal, O-Ring	Ethylene Propylene

*3 each with shell length -4 and longer

NOTES:
DIMENSIONS IN INCHES (MM APPROX.)
FOR REFERENCE ONLY, NOT TO BE USED FOR CONSTRUCTION UNLESS CERTIFIED
CENTER VESSEL ON 2 OR 3 SUPPORTS AT SPAN(S) "S". 3 SUPPORTS REQUIRED FOR LENGTHS -4 AND OVER
INCORRECT MANIFOLDING WILL CAUSE SEVERE LOCAL STRESS AROUND PORT AND MAY RESULT IN LEAKS AND PREMATURE FAILURE. TAKE EVERY PRECAUTION LISTED IN THIS PACKET.
INTERNAL PERMEATE PRESSURE MUST NOT EXCEED 125 PSI.
ASME SECTION X, RP CODE STAMP OPTIONAL
SPECIFICATIONS SUBJECT TO CHANGE WITHOUT NOTICE



www.protec-arisawa.com

PRO 4-450-SP

ENGR
AP
5/22/03
QLTY
WJ
5/22/03
MRKT
DWE
5/22/03

ECO	REVISED	DRAWING	REV
10119	4/28/11	104002	H