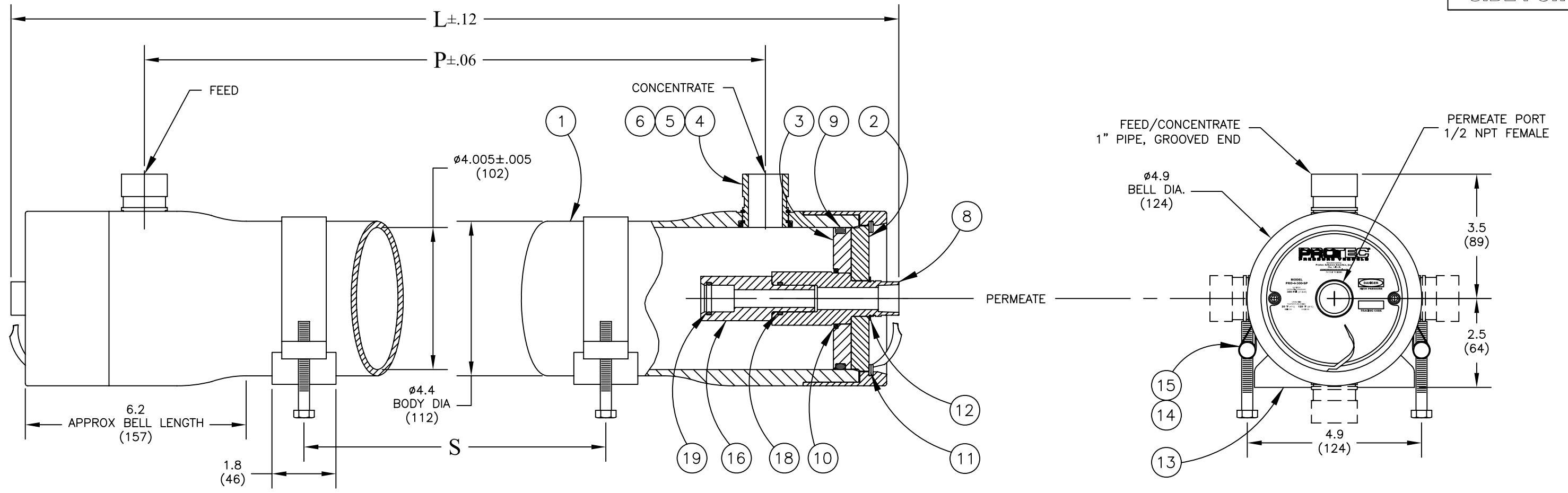


**300 PSI
SIDE PORT**



| Shell Length Code | L inch (mm) | P Standard inch (mm) | S Span in (mm) | Empty Weight lb (kg) |
|-------------------|-------------------|-------------------------------|----------------------|----------------------------|
| -1 | 49.5 (1257) | 42 (1067) | 28 (711) | 17 (8) |
| -2 | 89.5 (2273) | 82 (2083) | 56 (1422) | 25 (11) |
| -3 | 129.5 (3289) | 122 (3099) | 80 (2032) | 33 (15) |
| -4 | 169.5 (4305) | 162 (4115) | 2 @ 64 (2 @ 1626) | 40 (18) |
| -5 | 209.5 (5321) | 202 (5131) | 2 @ 78 (2 @ 1981) | 48 (22) |
| -6 | 249.5 (6337) | 242 (6147) | 2 @ 92 (2 @ 2337) | 56 (25) |

| ITEM | QTY | P/N | DESCRIPTION | MATERIAL |
|------|-----|-----------|---------------------------------|-------------------------------|
| 1 | 1 | 3040022 | Shell | Filament Wound, Epoxy FRP |
| 2 | 2 | 4040026 | Bearing Plate | 6061-T6 Aluminum, SB-221 |
| 3 | 2 | 4040030-1 | Sealing Plate | PVC Thermoplastic |
| 4 | A/R | 4040031-1 | Feed/Concentrate Port | Stainless Steel, 316L, SA-312 |
| 5 | A/R | 6120125 | Retaining Ring, F/C Port | Stainless Steel, 300 Series |
| 6 | A/R | 6110218-N | Seal, F/C Port, Square Seal | Ethylene Propylene |
| 7 | | | | |
| 8 | 2 | 4040052-1 | Permeate Port | PVC Thermoplastic |
| 9 | 2 | 6180342 | Head Seal, O-Ring | Ethylene Propylene |
| 10 | 2 | 6110221-N | Permeate Port Seal, Square Seal | Ethylene Propylene |
| 11 | 2 | 4040079 | Retaining Ring w/ Finger Pull | Stainless Steel, 316 Series |
| 12 | 2 | 6121100 | Retaining Ring, Permeate Port | Stainless Steel, 316 Series |
| 13 | 2* | 4040037 | Support Saddle | Polyurethane |
| 14 | 2 | 4040040 | Strap Assembly | Stainless Steel, 300 Series |
| 15 | 4 | 6150001 | Strap Screw | Stainless Steel, 300 Series |
| 16 | 2 | A/R | Adapter | PVC Thermoplastic |
| 17 | | | | |
| 18 | 2 | 6180116 | Adapter Seal, O-Ring | Ethylene Propylene |
| 19 | 2 | A/R | PWT Seal, O-Ring | Ethylene Propylene |

*3 each with shell length -4 and longer

NOTES:
 DIMENSIONS IN INCHES (MM APPROX.)
 FOR REFERENCE ONLY, NOT TO BE USED FOR CONSTRUCTION UNLESS CERTIFIED
 CENTER VESSEL ON 2 OR 3 SUPPORTS AT SPAN(S) "S". 3 SUPPORTS REQUIRED FOR LENGTHS -4 AND OVER
 INCORRECT MANIFOLDING WILL CAUSE SEVERE LOCAL STRESS AROUND PORT AND MAY RESULT IN LEAKS AND PREMATURE FAILURE. TAKE EVERY PRECAUTION LISTED IN THIS PACKET.
 INTERNAL PERMEATE PRESSURE MUST NOT EXCEED 125 PSI.
 ASME SECTION X, RP CODE STAMP OPTIONAL
 SPECIFICATIONS SUBJECT TO CHANGE WITHOUT NOTICE



www.protec-arisawa.com

PRO 4-300-SP

| | | | | |
|-------------------------|-------|--------------------|-------------------|----------|
| ENGR AP 10/28/03 | ECO | REVISED 4/28/11 | DRAWING 104001 | REV H |
| QLTY WJ 10/28/03 | 10119 | | | |
| MRKT DWE 10/28/03 | | | | |