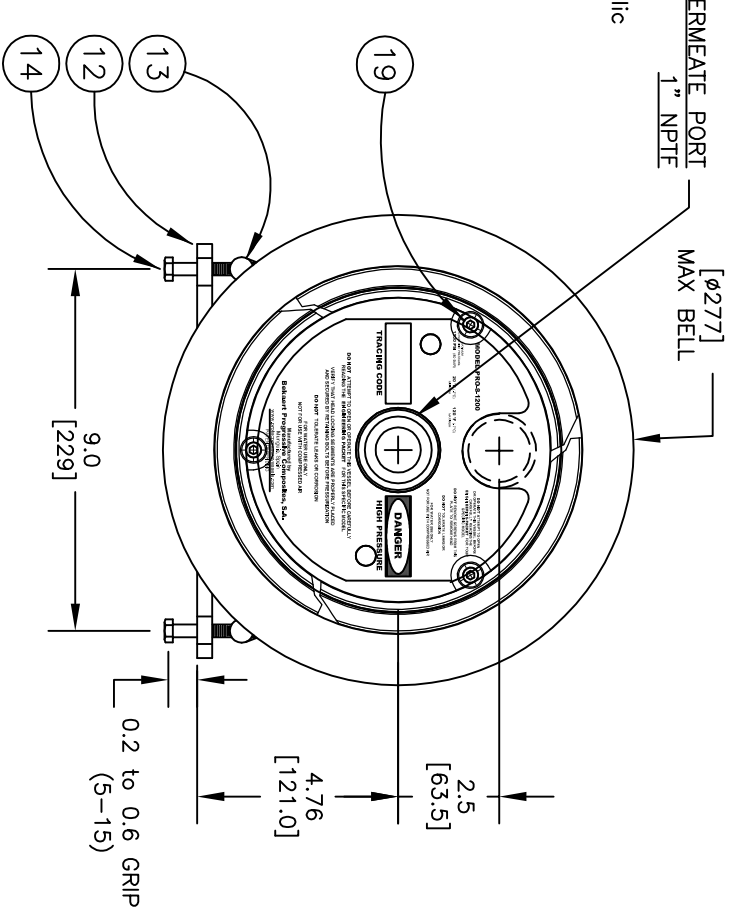
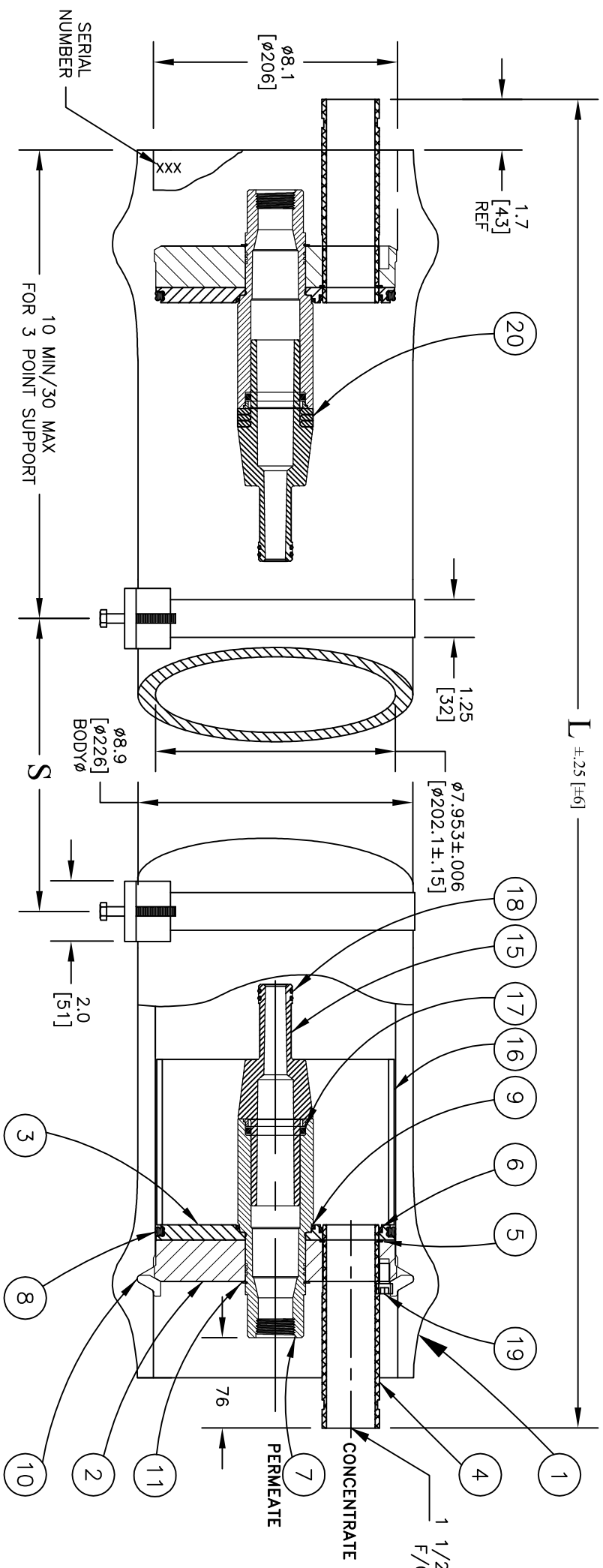


1200 PSI
END PORT



Shell Length Code	L Inch [mm]	S Span In [mm]	Empty Weight lb [kg]
-1	65 [1651]	34 [864]	117 [53]
-1.5	85 [2159]	45 [1143]	135 [61]
-2	105 [2667]	56 [1422]	152 [69]
-3	145 [3683]	80 [2032]	192 [87]
-4	185 [4699]	104 [2642]	227 [103]
-5	225 [5715]	125 [3251]	262 [119]
-6	265 [6731]	150 [3810]	300 [136]
-7	305 [7749]	175 [4464]	337 [153]
-7.5	325 [8255]	187.5 [4738]	355 [161]
-8	345 [8765]	200 [5080]	373 [169]

ITEM	QTY	P/N	DESCRIPTION	MATERIAL
1	1	4080532	Shell	Filament Wound, Epoxy FRP
2	2	4080533	Bearing Plate	6061-T6 Aluminum, SB-221, Anodized
3	2	4080065-1	Sealing Plate	PVC Thermoplastic
4	2	4080231	Feed/Concentrate Port	ST Super Duplex, SA-790
5	2	6121187	Retaining Ring, F/C Port	Stainless Steel, 316
6	2	6184604-N	Seal, F/C Port	Ethylene Propylene
7	2	4080378	Permeate Port	Noryl GFN2
8	2	6100442MK	Head Seal	Ethylene Propylene
9	2	6110229-N	Permeate Port Seal	Stainless Steel, 316
10	6	4080474	Locking Segments	Stainless Steel, 316
11	2	6121200	Retaining Ring, Permeate Port	Stainless Steel, 316
12	2*	4080175	Support Saddle	Thermoplastic Rubber
13	3	4080137	Strap Assembly	Stainless Steel, 316
14	6	6150001	Strap Screw	Stainless Steel, 18-8
15	2	ADR	Adapter acc./to membrane model	Noryl GFN2/PET
16	1	4080043	Thrust Ring	PVC Thermoplastic
17	2	6180326N**	Adapter Seal	Ethylene Propylene
18	4	ADR	PWT Seal	Ethylene Propylene
19	6	6150048	Head Screw	Stainless Steel, 18-8
20	3	4080062-4	Shim, Adapter [5mm]	PVC / Noryl GFN2

* 3 each with shell length -7 and longer
** 6110221-N when Permeate Port is not Noryl

NOTES:

FOR REFERENCE ONLY, NOT FOR CONSTRUCTION UNLESS CERTIFIED
SHIMMING OF THE SADDLES MAY BE REQUIRED
CENTER VESSEL ON 2 SUPPORTS AT SPAN(S) "S". OPTIONAL 3 POINT SUPPORT QUOTED SEPARATELY FOR SHELL LENGTHS -4 AND LONGER.
INCORRECT MANIFOLDING WILL CAUSE SEVERE LOCAL STRESS AROUND PORT AND MAY RESULT IN LEAKS AND PREMATURE FAILURE. TAKE EVERY PRECAUTION LISTED IN THIS PACKET.
INTERNAL PERMEATE PRESSURE MUST NOT EXCEED 125 PSI.
ASME SECTION X, RP CODE STAMP OPTIONAL
SPECIFICATIONS SUBJECT TO CHANGE WITHOUT NOTICE



BPV 8-1200-EP

ENGR	RR	ECO	REVISED	DRAWING	REV
DG 4/22/14	RR 4/22/14	ECO 12056	10/04/13	101050	A